



AC 230 101

Gaggenau Light Bronze

Width 105 cm

Air recirculation

Special accessories**AA 200 121**

3 activated charcoal filter

For air recirculation.

Can be combined with ceiling ventilation AC 230 and AC 270.

AA 200 122

3 regenerable activated charcoal filter

For air recirculation.

Can be combined with ceiling ventilation AC 230 and AC 270.

Ceiling ventilation 200 series**AC 230**

- Perfect and harmonic integration into the architecture of the kitchen
- Precision crafted, solid aluminium design
- Energy-saving, low-noise fan
- Rim extraction
- Function for automatic, sensor-controlled power adjustment depending on the build-up of cooking vapours
- Easy and time saving installation directly on the ceiling
- Easy maintenance of the filters
- Air recirculation

Output

Performance and noise level, output level 3/Intensive:

Air output according to EN 61591.

Sound power level according to EN 60704-3.

Sound pressure level according to EN 60704-2-13.

Odour reduction for air recirculation in accordance with EN 61591.

Air recirculation:

579 / 762 m³/h.

67 / 73 dB (A) re 1 pW.

54 / 60 dB (A) re 20 µPa.

Odour reduction: > 90 %

Features

3 electronically controlled power levels and 1 intensive mode.

Remote control is included in delivery.

Automatic function with sensor-controlled run-on function.

Interval ventilation, 6 min.

Grease filter saturation indicator.

Activated charcoal filter saturation indicator.

3 metal grease filters, dishwasher-safe.

3 activated charcoal filters.

The activated charcoal filter is suitable for the preparation of fish and seafood due to special treatment.

Protection against allergen particles due to special treatment.

Gaggenau Light Bronze anodized aluminium.

Fan technology with highly efficient, brushless DC motor (BLDC).

Cooktop-based ventilation control (with suitable cooktop).

Home network integration for digital services (Home Connect) wireless via WiFi.

The use of the Home Connect functionality depends on the Home Connect services, which are not available in every country. For further information please check: home-connect.com.

Planning notes

Installation directly on the ceiling. The ceiling ventilation has to be handled as a room ventilation when distance to cooktop is larger than 120 cm since the direct capture of vapours will be limited. The needed airflow is given by an air exchange rate of 10 to 12 times the room volume.

A suitable load-bearing substructure is required for securing the extractor hood. Never fit the appliance directly onto plasterboard or similar lightweight construction materials.

Clearance above gas appliances min. 65 cm (more than total load gas 12 kW min. 70 cm).

Clearance above electric appliances min. 65 cm.

Air recirculation is not recommended in combination with Vario electric grill.

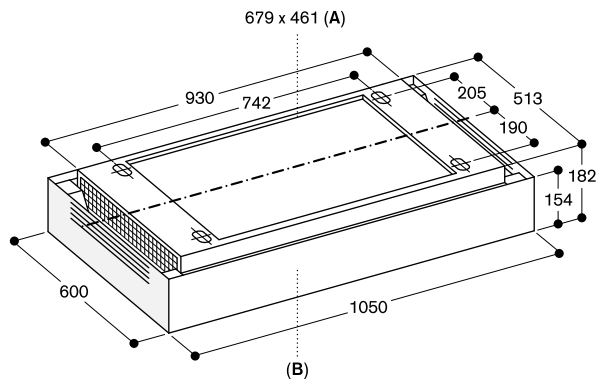
Appliance weight: approx. 40 kg.

Connection

Total connected load 140 W.

Plan a connection cable.

Please check the user manual for how to switch off the WiFi module.



A: Area for cable outlet on the ceiling

B: Front of appliance

measurements in mm



AC 270 101

Gaggenau Black
Width 105 cm
Air recirculation
Delivery with ceiling mounting plate

Special accessories

AA 200 121

3 activated charcoal filter
For air recirculation.
Can be combined with ceiling
ventilation AC 230 and AC 270.

AA 200 122

3 regenerable activated charcoal filter
For air recirculation.
Can be combined with ceiling
ventilation AC 230 and AC 270.

Ceiling ventilation 200 series

AC 270

- Height adjustable ceiling ventilation, when not in use it can be completely lifted onto the ceiling or integrated in the ceiling
- Precision crafted, solid aluminium design
- Energy-saving, low-noise fan
- Rim extraction
- Function for automatic, sensor-controlled power adjustment depending on the build-up of cooking vapours
- Easy installation on the ceiling with provided ceiling mounting plate
- Easy maintenance of the filters
- Dimmable, neutral white LED light for ideal illumination of the cooktop
- Air recirculation

Output

Performance and noise level, output level 3/Intensive:

Air output according to EN 61591.

Sound power level according to EN 60704-3.

Sound pressure level according to EN 60704-2-13.

Odour reduction for air recirculation in accordance with EN 61591.

Air recirculation:

515 / 680 m³/h.

67 / 74 dB (A) re 1 pW.

54 / 61 dB (A) re 20 µPa.

Odour reduction: > 90 %

Features

3 electronically controlled power levels and 1 intensive mode.

Remote control is included in delivery.

Automatic function with sensor-controlled run-on function.

Interval ventilation, 6 min.

Grease filter saturation indicator.

Activated charcoal filter saturation indicator.

3 metal grease filters, dishwasher-safe.

3 activated charcoal filters.

The activated charcoal filter is suitable for the preparation of fish and seafood due to special treatment.

Protection against allergen particles due to special treatment.

Gaggenau Black anodized aluminium.

Fan technology with highly efficient, brushless DC motor (BLDC).

Easy installation on the ceiling with provided ceiling mounting plate.

Neutral white LED light (3500 K), continuously dimmable.

Light colour in different white tones (2700 - 5000 K) can be adjusted via Home Connect.

Lamp output 18 W.

Illuminance 1150 lx continuously dimmable.

Cooktop-based ventilation control (with suitable cooktop).

Home network integration for digital services (Home Connect) wireless via WiFi.

The use of the Home Connect functionality depends on the Home Connect services, which are not available in every country. For further information please check: home-connect.com.

Planning notes

Installation directly on the ceiling with provided ceiling mounting plate.

The ceiling ventilation has to be handled as a room ventilation when distance to cooktop is larger than 120 cm since the direct capture of vapours will be limited. The needed airflow is given by an air exchange rate of 10 to 12 times the room volume.

A suitable load-bearing substructure is required for securing the extractor hood. Never fit the appliance directly onto plasterboard or similar lightweight construction materials.

Clearance above gas appliances min. 70 cm (more than total load gas 12 kW min. 75 cm).

Clearance above electric appliances min. 70 cm.

Air recirculation is not recommended in combination with Vario electric grill.

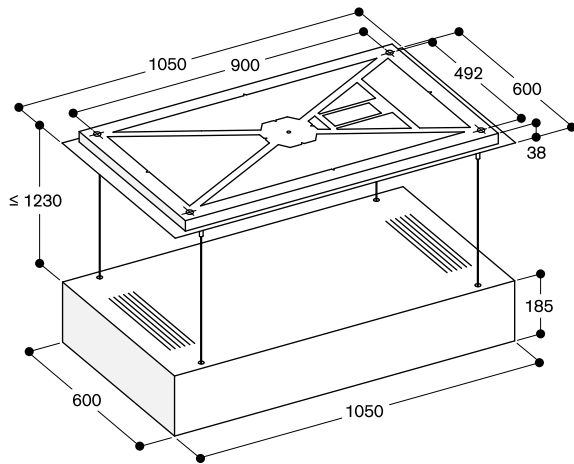
Appliance weight: approx. 76 kg.

Connection

Total connected load 140 W.

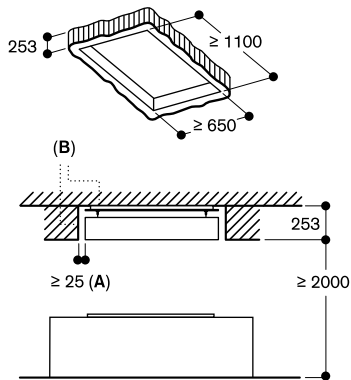
Plan a connection cable.

Please check the user manual for how to switch off the WiFi module.



measurements in mm

Flush integration in the ceiling



- A: ≥ 25 mm all around
- B: Depending on the cooking behaviour, residual moisture may still escape from the ceiling ventilation. For preventive reasons, we recommend to paint the recess cutout in the ceiling with an anti mould paint.

measurements in mm