



R Y 492 304

With fresh cooling close to 0 °C
Fully integrated
Niche width 91.4 cm,
Niche height 213.4 cm
Cooling section with two doors and
one fully extendable freezing drawer

Included in the price

1 egg holder with lid
1 ice cube scoop

Installation accessories

RA 421 912

Stainless steel door panels with
handles

For RY 492, panel thickness 19 mm.

RA 423 340

Side trims, 2 pieces, for RY and RB.

RA 425 110

Handle bar, stainless steel, long
With 3 mounts, length 1131 mm,
drilling distance between each mount
554 mm.

RA 425 910

Handle bar, stainless steel, short
For RB/R Y 492, with 2 mounts, length
810 mm, drilling distance between the
mounts 787 mm.

RA 428 912

Stainless steel door panels, handleless
For RY 492, panel thickness 19 mm.

RA 460 000

Accessory for side-by-side installation.
Not required if appliances are installed
more than 160 mm apart from each other.
Included in delivery for RF and RW.

RA 460 013

Additional side heating element 230 V.
Required if appliances are installed
with a distance greater than 16 mm and
less than 160 mm next to each other
and for all built-in situations in a very
humid environment. Not required if
appliances are installed more than
160 mm apart from each other.

RA 460 030

Connecting element for vertically split
fronts (for fridge-freezer combination).

RA 464 910

Ventilation grille stainless steel
For RB/R Y 492.

Special accessories

RA 430 100

Storage container with transparent lid,
anthracite.

RA 450 000

Mechanical particle filter.

RA 450 010

Activated charcoal filter for water filter
system including saturation indicator.

Vario fridge-freezer combination

400 series

R Y 492

- Stainless steel interior with solid anthracite aluminium elements
- Warm white and glare-free LED light spots
- Opening assist for door with two options:
 1. Push-to-open function for integration into handleless furniture front
 2. Pull-to-open function to facilitate opening the door using a handle
- Flat stainless steel inner doors
- Almost invisible rail system for shelves and door racks for flexible positioning
- Solid anthracite aluminium door racks
- 1 fresh cooling drawer close to 0 °C with manually adjustable temperature and 1 fresh cooling drawer with manually adjustable humidity
- Integrated ice maker with fixed inlet water connection
- 1 asymmetrically split glass shelf, height adjustable
- Fully extendable freezer drawer with practical divider in anthracite
- TFT touch display
- Net volume 518 litres

Handling

TFT touch display operation.
Clear text display.

Technical Features

Dynamic cold air distribution.
Automatic defrosting with defrost water evaporation.
Cushioned door closing system.
Activated charcoal air filter.
Rest mode certified by Star-K.
When rest mode is active, the appliance can only be opened using a handle.
Open-door and malfunction alarm.

Home network integration for digital services (Home Connect) wireless via WiFi.

The use of the Home Connect functionality depends on the Home Connect services, which are not available in every country. For further information please check: home-connect.com.

Please read additional information on Home Connect on page 420.

Cooling

No-Frost technology with fast cooling.
Temperature adjustable from +2 °C to +8 °C.
3 safety glass shelves, white glass, 2 of which are individually adjustable in height.
1 asymmetrically split safety glass shelf, with manual height adjustment.
4 brilliant LED light spots with warm white, glare-free light within cooling area and drawers.
Flat door rail system with fully flexible positioning of door racks.
6 height-adjustable door racks, 2 of which are extra deep.
Net volume 344 litres.

Fresh cooling close to 0 °C

1 fully extendable fresh cooling drawer close to 0 °C with transparent front, illuminated.
Temperature can be adjusted manually.
Ideal for meat, fish and poultry.
Net volume 34 litres.

Fresh cooling

1 fully extendable fresh cooling drawer with transparent front, illuminated.
Humidity can be adjusted manually.
Ideal for fruit and vegetables.

Freezing

No-frost technology with fast freezing at -30 °C.
Temperature adjustable from -16 °C to -24 °C.
4-star freezer compartment.
Freezing capacity 16 kg/24 h.
Storage time after a malfunction 17 h.
2 fully extendable drawers.
Interior lighting with 2 LED light spots, warm white light.
Net volume 140 litres.

Ice maker

Integrated in the freezer compartment, with fixed inlet water connection.
Particle filter for water inlet, integrated in ventilation grille area.
Can be switched off.
Ice cube production approx. 1.6 kg/24 h.
Removable ice storage container with approx. 3 kg capacity.

Consumption data

Energy efficiency class A++ at a range of energy efficiency classes from A+++ to D.
Energy consumption 346 kWh/year.
Noise level 42 dB (re 1 pW).

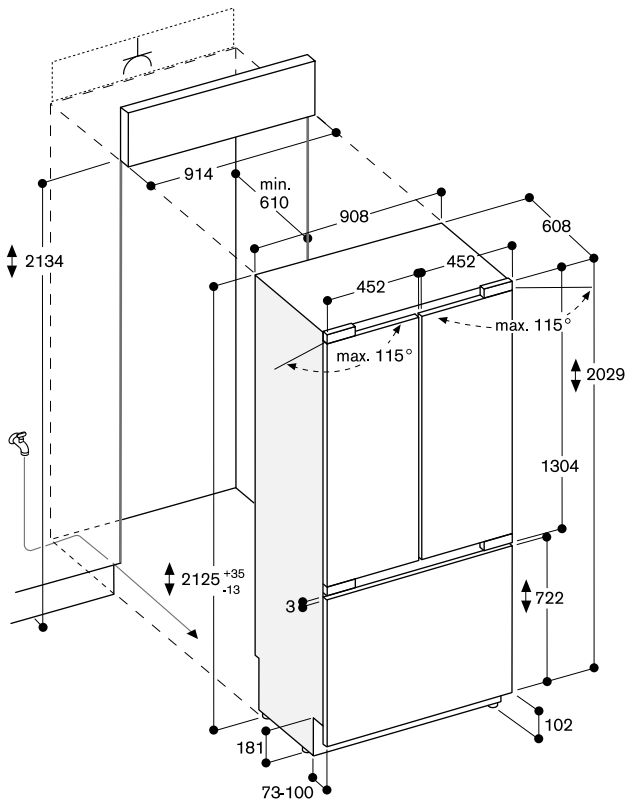
Planning notes

Flat hinge.
Door opening angle of 115°, fixable at 90°.
Max. door panel weight:
Each door 67 kg.
Drawer 10 kg.
Shut-off valve for water connection must be planned next to the appliance and always be accessible.
If the water pressure exceeds 0.8 MPa (8 bar), connect pressure relief valve between water tap and hose set.

Please read additional planning notes on page 326 – 333.

Connection

Total connected load 0.300 kW.
Connecting cable 3.0 m, pluggable.
Water inlet.
Supply hose 2.0 m with 3/4 " connection.
Water pressure 2 to 8 bar.



The maximum door panel dimensions are based on a clearance of 3 mm.



RB 492 304

With fresh cooling close to 0 °C
Fully integrated
Niche width 91.4 cm,
Niche height 213.4 cm
Cooling section with one door and one fully extendable freezing drawer

RB 472 304

With fresh cooling close to 0 °C
Fully integrated
Niche width 76.2 cm,
Niche height 213.4 cm
Cooling section with one door and one fully extendable freezing drawer

Included in the price

- 1 egg holder with lid
- 1 ice cube scoop

Installation accessories

RA 421 712

Stainless steel door panels with handles
For RB 472, panel thickness 19 mm.

RA 421 910

Stainless steel door panels with handles
For RB 492, panel thickness 19 mm.

RA 423 340

Side trims, 2 pieces, for RY and RB.

RA 425 110

Handle bar, stainless steel, long
With 3 mounts, length 1131 mm,
drilling distance between each mount 554 mm.

RA 425 710

Handle bar, stainless steel, short
For RB 472, with 2 mounts, length 658 mm, drilling distance between the mounts 637 mm.

RA 425 910

Handle bar, stainless steel, short
For RB/RY 492, with 2 mounts, length 810 mm, drilling distance between the mounts 787 mm.

RA 428 712

Stainless steel door panels, handleless
For RB 472, panel thickness 19 mm.

RA 428 910

Stainless steel door panels, handleless
For RB 492, panel thickness 19 mm.

RA 460 000

Accessory for side-by-side installation.
Not required if appliances are installed more than 160 mm apart from each other.
Included in delivery for RF and RW.

Vario fridge-freezer combination 400 series RB 492/RB 472

- Stainless steel interior with solid anthracite aluminium elements
- Warm white and glare-free LED light spots
- Opening assist for door with two options:
 1. Push-to-open function for integration into handleless furniture front
 2. Pull-to-open function to facilitate opening the door using a handle
- Flat stainless steel inner door, full-length
- Almost invisible rail system for shelves and door racks for flexible positioning
- Solid anthracite aluminium door racks
- 1 fresh cooling drawer close to 0 °C with manually adjustable temperature and 1 fresh cooling drawer with manually adjustable humidity
- Integrated ice maker with fixed inlet water connection
- Fully extendable freezer drawer with practical divider in anthracite
- TFT touch display
- Net volume 521/418 litres

Handling

TFT touch display operation.
Clear text display.

Technical Features

Dynamic cold air distribution.
Automatic defrosting with defrost water evaporation.
Cushioned door closing system.
Activated charcoal air filter.
Rest mode certified by Star-K.
When rest mode is active, the appliance can only be opened using a handle.
Open-door and malfunction alarm.

Home network integration for digital services (Home Connect) wireless via WiFi.

The use of the Home Connect functionality depends on the Home Connect services, which are not available in every country. For further information please check: home-connect.com.

Please read additional information on Home Connect on page 420.

Cooling

No-Frost technology with fast cooling.
Temperature adjustable from +2 °C to +8 °C.
3 safety glass shelves, white glass, 2 of which are individually adjustable in height.
4 brilliant LED light spots with warm white, glare-free light within cooling area and drawers.
Flat door rail system with fully flexible positioning of door racks.
3 height adjustable door racks, 1 of which is extra deep.
Net volume 347/281 litres.

RA 460 013

Additional side heating element 230 V.
Required if appliances are installed with a distance greater than 16 mm and less than 160 mm next to each other and for all built-in situations in a very humid environment. Not required if appliances are installed more than 160 mm apart from each other.

RA 460 030

Connecting element for vertically split fronts (for fridge-freezer combination).

RA 464 710

Ventilation grille stainless steel
For RB 472 with integrated water filter.

RA 464 910

Ventilation grille stainless steel
For RB/RY 492.

Special accessories

RA 430 100

Storage container with transparent lid, anthracite.

RA 450 000

Mechanical particle filter.

RA 450 010

Activated charcoal filter for water filter system including saturation indicator.

Fresh cooling close to 0 °C

1 fully extendable fresh cooling drawer close to 0 °C with transparent front, illuminated.
Temperature can be adjusted manually.
Ideal for meat, fish and poultry.
Net volume 34/27 litres.

Fresh cooling

1 fully extendable fresh cooling drawer with transparent front, illuminated.
Humidity can be adjusted manually.
Ideal for fruit and vegetables.

Freezing

No-frost technology with fast freezing at -30 °C.
Temperature adjustable from -16 °C to -24 °C.
4-star freezer compartment.
Freezing capacity 16/14 kg/24 h.
Storage time after a malfunction 17/17 h.
2 fully extendable inside drawers.
Interior lighting with 2 LED light spots, warm white light.
Net volume 140/110 litres.

Ice maker

Integrated in the freezer compartment, with fixed inlet water connection.
Particle filter for water inlet, integrated in ventilation grille area.
Can be switched off.
Ice cube production approx. 1.6/1.7 kg/24 h.
Removable ice storage container with approx. 3/3 kg capacity.

Consumption data

Energy efficiency class A++/A++ at a range of energy efficiency classes from A+++ to D.
Energy consumption 347/301 kWh/year.
Noise level 42/42 dB (re 1 pW).

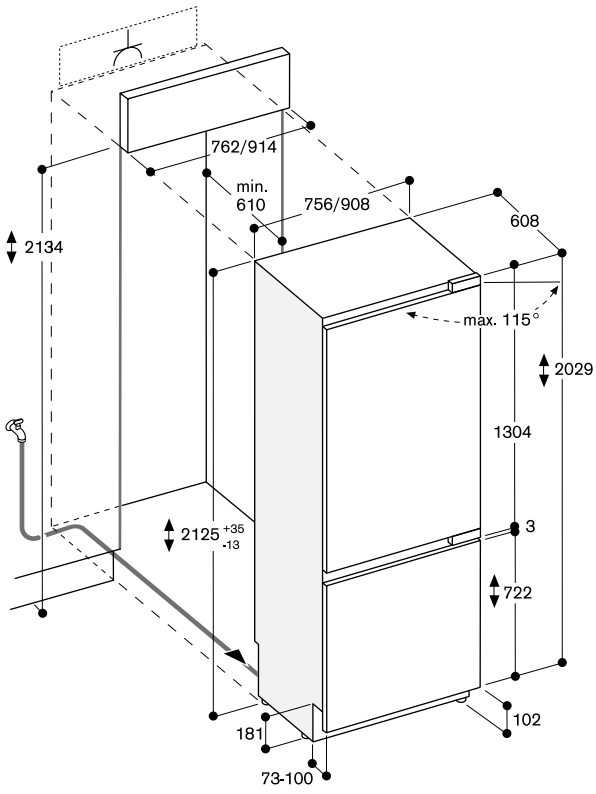
Planning notes

Flat hinge.
Door hinge right, reversible.
Door opening angle of 115°, fixable at 90°.
Max. door panel weight:
Door 47/41 kg.
Drawer 10/10 kg.
Shut-off valve for water connection must be planned next to the appliance and always be accessible.
If the water pressure exceeds 0.8 MPa (8 bar), connect pressure relief valve between water tap and hose set.

Please read additional planning notes on page 326 – 333.

Connection

Total connected load 0.300/0.300 kW.
Connecting cable 3.0 m, pluggable.
Water inlet.
Supply hose 2.0 m with 3/4" connection.
Water pressure 2 to 8 bar.



The maximum door panel dimensions are based on a clearance of 3 mm.



Vario refrigerator 400 series
RC 492/RC 472/RC 462

- Stainless steel interior with solid anthracite aluminium elements
- Warm white and glare-free LED light spots
- Opening assist for door with two options:
 1. Push-to-open function for integration into handleless furniture front
 2. Pull-to-open function to facilitate opening the door using a handle
- The drawers in the RC and RF models are positioned at the same height. With side-by-side installation, the glass shelves and door racks can be aligned on the same level
- Flat stainless steel inner door, full-length
- Almost invisible rail system for shelves and door racks for flexible positioning
- Solid anthracite aluminium door racks
- 1 fresh cooling drawer 0 °C with temperature control from -1 °C to +3 °C and 1 fresh cooling drawer with manually adjustable humidity
- TFT touch display
- Net volume 567/463/356 litres

Handling

TFT touch display operation.
Clear text display.

Technical Features

Dynamic cold air distribution.
Automatic defrosting with defrost water evaporation.
Cushioned door closing system.
Activated charcoal air filter.
Rest mode certified by Star-K.
When rest mode is active, the appliance can only be opened using a handle.
Open-door and malfunction alarm.

Home network integration for digital services (Home Connect) wireless via WiFi.

The use of the Home Connect functionality depends on the Home Connect services, which are not available in every country. For further information please check: home-connect.com.

Please read additional information on Home Connect on page 420.

Cooling

No-Frost technology with fast cooling.
Temperature adjustable from +2 °C to +8 °C.
4 safety glass shelves, white glass, 3 of which are individually adjustable in height.
1 shallow, fully extendable drawer with transparent front.
4 brilliant LED light spots with warm white, glare-free light within cooling area and drawers.
Flat door rail system with fully flexible positioning of door racks.
3 height adjustable door racks, 1 of which is extra deep.
Net volume 509/416/321 litres.

RC 492 304

With fresh cooling 0 °C
Fully integrated
Niche width 91.4 cm,
Niche height 213.4 cm

RC 472 304

With fresh cooling 0 °C
Fully integrated
Niche width 76.2 cm,
Niche height 213.4 cm

RC 462 304

With fresh cooling 0 °C
Fully integrated
Niche width 61 cm,
Niche height 213.4 cm

Included in the price

1 egg holder with lid

Installation accessories

RA 421 610

Stainless steel door panel with handle
For 61 cm wide appliances, panel thickness 19 mm.

RA 421 710

Stainless steel door panel with handle
For 76.2 cm wide appliances, panel thickness 19 mm.

RA 421 911

Stainless steel door panel with handle
For 91.4 cm wide appliances, panel thickness 19 mm.

RA 423 140

Side trims, long.

RA 425 110

Handle bar, stainless steel, long
With 3 mounts, length 1131 mm,
drilling distance between each mount 554 mm.

RA 428 610

Stainless steel door panel, handleless
For 61 cm wide appliances, panel thickness 19 mm.

RA 428 710

Stainless steel door panel, handleless
For 76.2 cm wide appliances, panel thickness 19 mm.

RA 428 911

Stainless steel door panel, handleless
For 91.4 cm wide appliances, panel thickness 19 mm.

RA 460 000

Accessory for side-by-side installation.
Not required if appliances are installed more than 160 mm apart from each other.
Included in delivery for RF and RW.

RA 460 013

Additional side heating element 230 V.
Required if appliances are installed with a distance greater than 16 mm and less than 160 mm next to each other and for all built-in situations in a very humid environment. Not required if appliances are installed more than 160 mm apart from each other.

RA 460 020

Connecting element for vertically split appliance fronts (for a flush front).

RA 464 611

Ventilation grille stainless steel
For 61 cm wide appliances.

RA 464 711

Ventilation grille stainless steel
For 76.2 cm wide appliances.

RA 464 911

Ventilation grille stainless steel
For 91.4 cm wide appliances.

Special accessories

RA 430 100

Storage container with transparent lid, anthracite.

Fresh cooling 0 °C

1 large, fully extendable fresh cooling 0 °C drawer with transparent front, illuminated.
Temperature control via central TFT display, temperature can be adjusted from -1 °C to +3 °C.
Ideal for meat, fish and poultry.
Net volume 58/47/35 litres.

Fresh cooling

1 fully extendable fresh cooling drawer with transparent front, illuminated.
Humidity can be adjusted manually.
Ideal for fruit and vegetables.

Consumption data

Energy efficiency class A++/A++/A++ at a range of energy efficiency classes from A+++ to D.
Energy consumption 151/141/131 kWh/year.
Noise level 40/40/40 dB (re 1 pW).

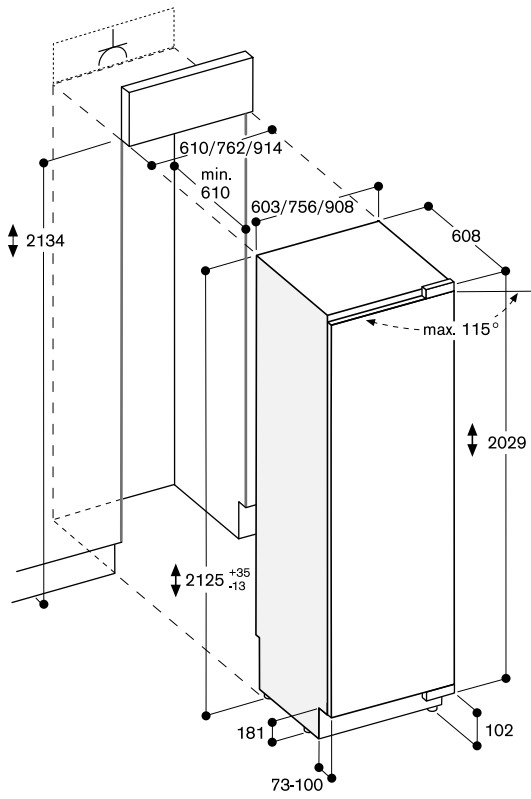
Planning notes

Flat hinge.
Door hinge right, reversible.
Door opening angle of 115°, fixable at 90°.
Max. door panel weight 43/24/41 kg.

Please read additional planning notes on page 326 – 333.

Connection

Total connected load 0.300/0.300/0.300 kW.
Connecting cable 3.0 m, pluggable.



The maximum door panel dimensions are based on a clearance of 3 mm.



RF 463 304

Fully integrated
Niche width 61 cm,
Niche height 213.4 cm
Right-hinged

RF 463 305

Fully integrated
Niche width 61 cm,
Niche height 213.4 cm
Left-hinged

Included in the price

1 Accessory for side-by-side installation

Installation accessories

RA 422 610

Stainless steel door panel with handle
For RF 463, panel thickness 19 mm.

RA 423 140

Side trims, long.

RA 425 110

Handle bar, stainless steel, long
With 3 mounts, length 1131 mm,
drilling distance between each mount
554 mm.

RA 428 810

Stainless steel door panel, handleless
For RF 463, panel thickness 19 mm.

RA 460 013

Additional side heating element 230 V.
Required if appliances are installed
with a distance greater than 16 mm and
less than 160 mm next to each other
and for all built-in situations in a very
humid environment. Not required if
appliances are installed more than
160 mm apart from each other.

RA 460 020

Connecting element for vertically split
appliance fronts (for a flush front).

RA 464 613

Ventilation grille stainless steel
For RF 463, with filter, right-hinged.

RA 464 614

Ventilation grille stainless steel
For RF 463, with filter, left-hinged.

Special accessories

RA 450 000

Mechanical particle filter.

RA 450 010

Activated charcoal filter for water filter
system including saturation indicator.

Vario freezer 400 series

RF 463

- Stainless steel interior with solid anthracite aluminium elements
- Warm white and glare-free LED light spots
- Opening assist for door with two options:
 1. Push-to-open function for integration into handleless furniture front
 2. Pull-to-open function to facilitate opening the door using a handle
- The drawers in the RC and RF models are positioned at the same height. With side-by-side installation, the glass shelves and door racks can be aligned on the same level
- Material and aesthetics of interior as for RC model
 - Glass shelves
 - Solid anthracite aluminium door racks
- Flat stainless steel inner door, full-length
- Almost invisible rail system for shelves and door racks for flexible positioning
- Ice and water dispenser in the door
- Integrated ice maker with fixed inlet water connection
- Proximity sensor for ice and water dispenser
- Illuminated dispenser for ice cubes, crushed ice and chilled water
- TFT touch display
- Net volume 300 litres

Handling

TFT touch display operation.
Clear text display.
Touch key operation for ice and water dispenser.

Technical Features

Dynamic cold air distribution.
Automatic defrosting with defrost water evaporation.
Cushioned door closing system.
Rest mode certified by Star-K.
When rest mode is active, the appliance can only be opened using a handle.
Open-door and malfunction alarm.

Home network integration for digital services (Home Connect) wireless via WiFi.

The use of the Home Connect functionality depends on the Home Connect services, which are not available in every country. For further information please check: home-connect.com.

Please read additional information on Home Connect on page 420.

Freezing

No-frost technology with fast freezing at -30 °C.
Temperature adjustable from -16 °C to -24 °C.
4-star freezer compartment.
Freezing capacity 14 kg/24 h.
Storage time after a malfunction 10 h.
4 safety glass shelves, white glass, 2 of which are individually height adjustable.
2 fully extendable drawers with transparent front.
Brilliant LED light spots with warm white, glare-free light.

Ice and water dispenser

Warm white LED lighting.
Proximity sensor for automatic activation of light and touch keys for ice and water dispenser.
Integrated, with fixed inlet water connection.
Particle filter for water inlet, integrated in ventilation grille area.
Can be switched off.
Ice cube production approx. 1.4 kg/24 h.
Ice cubes and crushed ice.
Removable ice storage container with approx. 3.2 kg capacity.
Ice water supply approx. 1.5 litres.

Consumption data

Energy efficiency class A+ at a range of energy efficiency classes from A+++ to D.
Energy consumption 343 kWh/year.
Noise level 42 dB (re 1 pW).

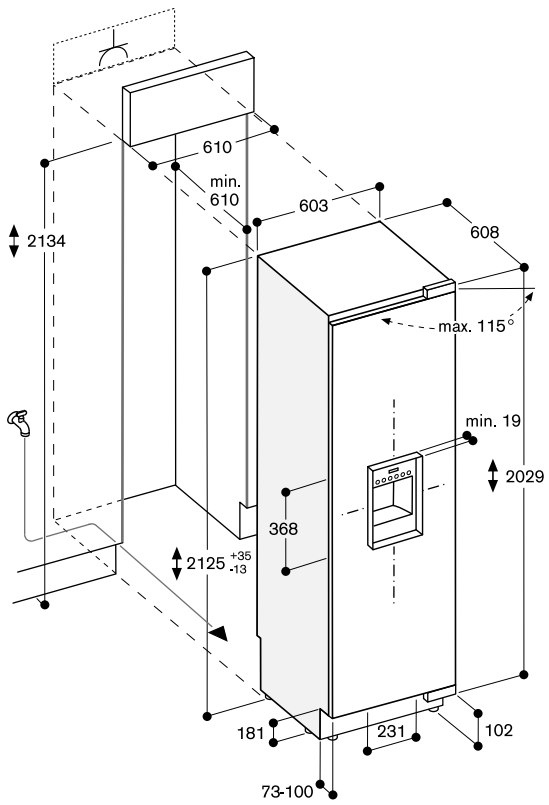
Planning notes

Flat hinge.
Door opening angle of 115°, fixable at 90°.
For an installation with a door opening angle of 90°, the drawers have a restricted access.
Max. door panel weight 67 kg.
Shut-off valve for water connection must be planned next to the appliance and always be accessible.
If the water pressure exceeds 0.8 MPa (8 bar), connect pressure relief valve between water tap and hose set.

Please read additional planning notes on page 326 – 333.

Connection

Total connected load 0.300 kW.
Connecting cable 3.0 m, pluggable.
Water inlet.
Supply hose 2.0 m with 3/4" connection.
Water pressure 2 to 8 bar.



The maximum door panel dimensions are based on a clearance of 3 mm.



RF 471 304

Fully integrated
Niche width 76.2 cm,
Niche height 213.4 cm

RF 461 304

Fully integrated
Niche width 61 cm,
Niche height 213.4 cm

RF 411 304

Fully integrated
Niche width 45.7 cm,
Niche height 213.4 cm

Included in the price

- 1 ice cube scoop
- 1 Ice storage container, large
- 1 Accessory for side-by-side installation

Installation accessories

RA 421 110

Stainless steel door panel with handle
For 45.7 cm wide appliances, panel thickness 19 mm.

RA 421 610

Stainless steel door panel with handle
For 61 cm wide appliances, panel thickness 19 mm.

RA 421 710

Stainless steel door panel with handle
For 76.2 cm wide appliances, panel thickness 19 mm.

RA 423 140

Side trims, long.

RA 425 110

Handle bar, stainless steel, long
With 3 mounts, length 1131 mm,
drilling distance between each mount 554 mm.

RA 428 110

Stainless steel door panel, handleless
For 45.7 cm wide appliances, panel thickness 19 mm.

RA 428 610

Stainless steel door panel, handleless
For 61 cm wide appliances, panel thickness 19 mm.

RA 428 710

Stainless steel door panel, handleless
For 76.2 cm wide appliances, panel thickness 19 mm.

RA 460 013

Additional side heating element 230 V. Required if appliances are installed with a distance greater than 16 mm and less than 160 mm next to each other and for all built-in situations in a very humid environment. Not required if appliances are installed more than 160 mm apart from each other.

RA 460 020

Connecting element for vertically split appliance fronts (for a flush front).

Vario freezer 400 series

RF 471/RF 461/RF 411

- Stainless steel interior with solid anthracite aluminium elements
- Warm white and glare-free LED light spots
- Opening assist for door with two options:
 1. Push-to-open function for integration into handleless furniture front
 2. Pull-to-open function to facilitate opening the door using a handle
- The drawers in the RC and RF models are positioned at the same height. With side-by-side installation, the glass shelves and door racks can be aligned on the same level
- Material and aesthetics of interior as for RC model
 - Glass shelves
 - Solid anthracite aluminium door racks
- Flat stainless steel inner door, full-length
- Almost invisible rail system for shelves and door racks for flexible positioning
- Integrated ice maker with fixed inlet water connection
- TFT touch display
- Net volume 429/328/226 litres

Handling

TFT touch display operation.
Clear text display.

Technical Features

Dynamic cold air distribution.
Automatic defrosting with defrost water evaporation.
Cushioned door closing system.
Rest mode certified by Star-K.
When rest mode is active, the appliance can only be opened using a handle.
Open-door and malfunction alarm.

Home network integration for digital services (Home Connect) wireless via WiFi.

The use of the Home Connect functionality depends on the Home Connect services, which are not available in every country. For further information please check: home-connect.com.

Please read additional information on Home Connect on page 420.

Freezing

No-frost technology with fast freezing at -30 °C.
Temperature adjustable from -16 °C to -24 °C.
4-star freezer compartment.
Freezing capacity 20/18/16 kg/24 h.
Storage time after a malfunction 14/13/10 h.
4 safety glass shelves, white glass, 3 of which are individually height adjustable.
2 fully extendable drawers with transparent front.
Brilliant LED light spots with warm white, glare-free light.
Flat door rail system with fully flexible positioning of door racks.
4 height-adjustable door racks.

RA 464 112

Ventilation grille stainless steel
For 45.7 cm wide appliances with filter.

RA 464 612

Ventilation grille stainless steel
For 61 cm wide appliances, with integrated water filter.

RA 464 712

Ventilation grille stainless steel
For 76.2 cm wide appliances, with integrated water filter.

Special accessories

RA 450 000

Mechanical particle filter.

RA 450 010

Activated charcoal filter for water filter system including saturation indicator.

Ice maker

Integrated in the freezer compartment, with fixed inlet water connection.
Particle filter for water inlet, integrated in ventilation grille area.
Can be switched off.
Ice cube production approx. 1.7/1.5/1.4 kg/24 h.
Removable ice storage container with approx. 4/4/4 kg capacity.

Consumption data

Energy efficiency class A++/A++/A++ at a range of energy efficiency classes from A+++ to D.
Energy consumption 340/284/253 kWh/year.
Noise level 42/42/42 dB (re 1 pW).

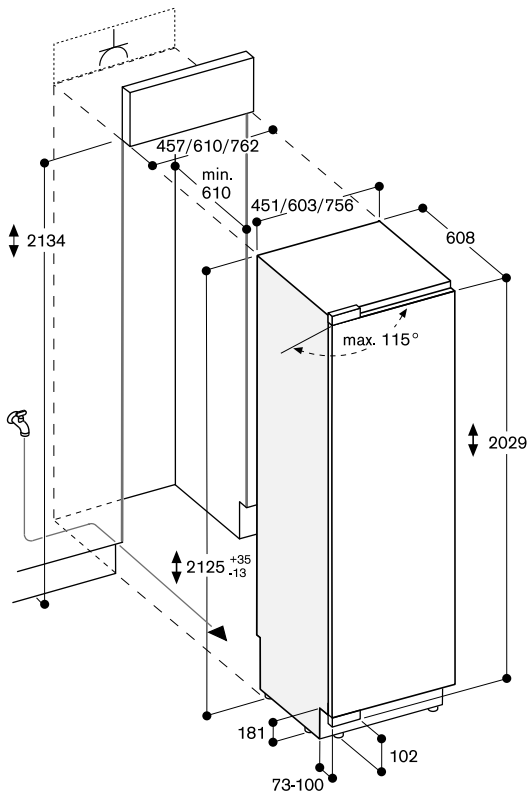
Planning notes

Flat hinge.
Door hinge left, reversible.
Door opening angle of 115°, fixable at 90°.
For an installation with a door opening angle of 90°, the drawers have a restricted access and the ice storage container must be exchanged for the small ice storage container (RA 448 220).
This must be done prior fixing the door.
Max. door panel weight 25/41/59 kg.
Shut-off valve for water connection must be planned next to the appliance and always be accessible.
If the water pressure exceeds 0.8 MPa (8 bar), connect pressure relief valve between water tap and hose set.

Please read additional planning notes on page 326 – 333.

Connection

Total connected load 0.300/0.300/0.300 kW.
Connecting cable 3.0 m, pluggable.
Water inlet.
Supply hose 2.0 m with 3/4 " connection.
Water pressure 2 to 8 bar.



The maximum door panel dimensions are based on a clearance of 3 mm.



RW 466 364

Fully integrated, with glass door
Niche width 61 cm,
Niche height 213.4 cm

RW 466 304

Fully integrated, with solid door
Niche width 61 cm,
Niche height 213.4 cm

Included in the price

1 Accessory for side-by-side installation

Installation accessories

RA 420 010

Door lock for RW414 and RW 464.

RA 421 610

Stainless steel door panel with handle
For 61 cm wide appliances, panel thickness 19 mm.

RA 421 611

Stainless steel door panel frame with handle
For 61 cm wide appliances, left-hinged, panel thickness 19 mm.

RA 421 612

Stainless steel door panel frame with handle
For 61 cm wide appliances, right-hinged, panel thickness 19 mm.

RA 423 140

Side trims, long.

RA 425 110

Handle bar, stainless steel, long
With 3 mounts, length 1131 mm,
drilling distance between each mount 554 mm.

RA 428 610

Stainless steel door panel, handleless
For 61 cm wide appliances, panel thickness 19 mm.

RA 428 611

Stainless steel door panel frame, handleless
For 61 cm wide appliances, panel thickness 19 mm.

RA 460 013

Additional side heating element 230 V. Required if appliances are installed with a distance greater than 16 mm and less than 160 mm next to each other and for all built-in situations in a very humid environment. Not required if appliances are installed more than 160 mm apart from each other.

RA 460 020

Connecting element for vertically split appliance fronts (for a flush front).

RA 464 611

Ventilation grille stainless steel
For 61 cm wide appliances.

Vario wine climate cabinet 400 series

RW 466

- 3 independently controllable climate zones
- Consistent temperatures with exact control from +5 °C to +20 °C
- Humidity control
- Stainless steel interior
- Fully extendable bottle trays in oak wood and solid aluminium in anthracite
- Bottle trays with hidden telescopic rails
- Warm white and glare-free LED light spots
- 5 preset lighting scenarios, selectable via TFT display
- Opening assist for door with two options:
 1. Push-to-open function for integration into handleless furniture front
 2. Pull-to-open function to facilitate opening the door using a handle
- Low-vibration operation
- TFT touch display
- Capacity 99/99 bottles

Handling

TFT touch display operation.
Clear text display.

Technical Features

Dynamic cold air distribution.
Automatic defrosting with defrost water evaporation.
Cushioned door closing system.
Activated charcoal air filter.
UV-protection.
Rest mode certified by Star-K.
When rest mode is active, the appliance can only be opened using a handle.
Open-door and malfunction alarm.

Home network integration for digital services (Home Connect) wireless via WiFi.

The use of the Home Connect functionality depends on the Home Connect services, which are not available in every country. For further information please check: home-connect.com.

Please read additional information on Home Connect on page 420.

Features

Capacity 99/99 bottles (based on 0.75/l standard bottles).
12 bottle trays,
- 9 fully extendable trays
- 3 suitable for storage of Magnum bottles.
Flexible interior configuration possible by adding or removing fully extendable bottle trays.
Storage of up to 12 Magnum bottles with standard tray configuration (12 bottle trays).
Space for max. 12 bottle trays.
2 brilliant LED light spots with warm white, glare-free light in each climate zone.
5 different lighting scenarios can be selected for individual wine presentation.
Net volume 361/361 litres.

Special accessories

RA 430 000

Screw hole cover set. 8 pieces.

RA 491 661

Fully extendable bottle trays with hidden telescopic rails in oak wood and solid aluminium in anthracite
For 61 cm wide appliances.

RA 492 660

Removable shelf with oak wood frame
Suitable for decanters and open bottles.
For 61 cm wide appliances.

RA 493 060

Presenter in oak wood and aluminium in anthracite for single bottle display
1 piece.

RA 498 640

Bottle support in oak wood for convenient storage of bottles on the division plate.
For 61 cm wide appliances.

Consumption data

Energy efficiency class A/A+ at a range of energy efficiency classes from A+++ to G.

Energy consumption

171/130 kWh/year.

Noise level 42/42 dB (re 1 pW).

Planning notes

Flat hinge.

Door hinge right, reversible.

Door opening angle of 115°, fixable at 90°.

Max. door panel weight 73/73 kg.

The mains socket needs to be planned outside the built-in niche.

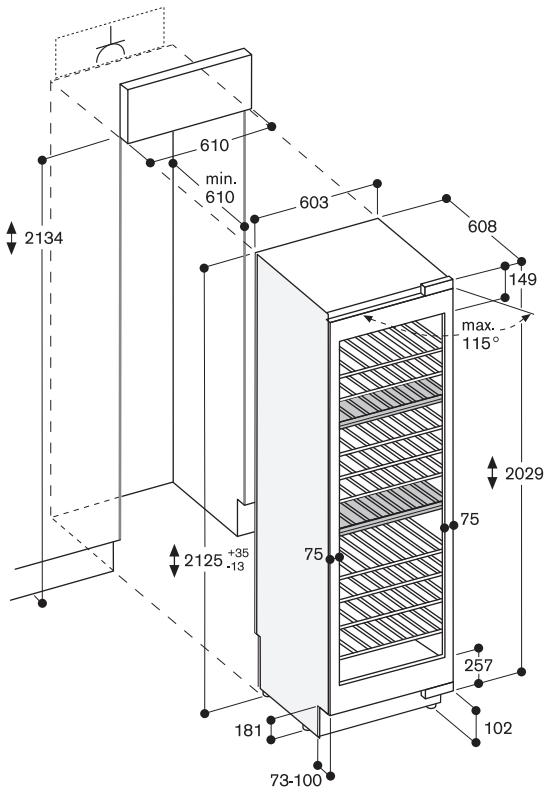
No transport/operation above 1.500 m sea level.

Please read additional planning notes on page 326 – 333.

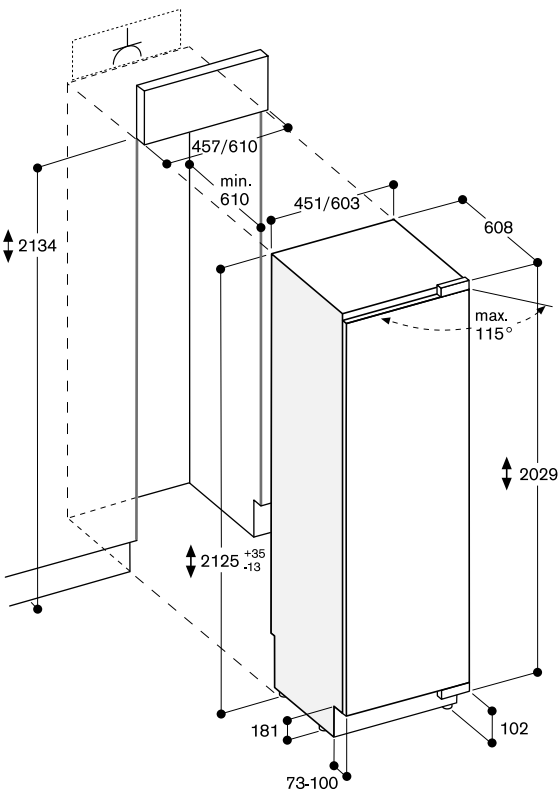
Connection

Total connected load 0.300/0.300 kW.

Connecting cable 3.0 m, pluggable.

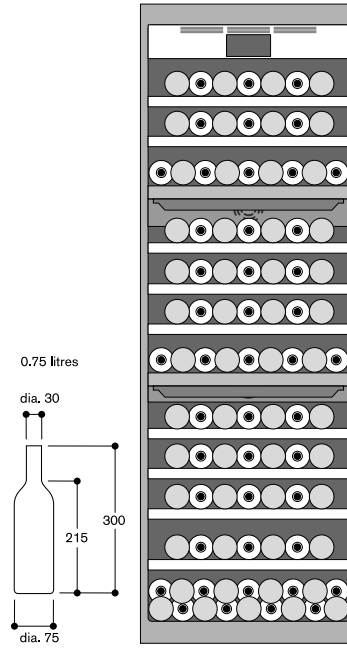


The maximum door panel dimensions are based on a clearance of 3 mm.



The maximum door panel dimensions are based on a clearance of 3 mm.

Bottle storage





RW 414 364

Fully integrated, with glass door
Niche width 45.7 cm,
Niche height 213.4 cm

RW 414 304

Fully integrated, with solid door
Niche width 45.7 cm,
Niche height 213.4 cm

Included in the price

1 Accessory for side-by-side
installation

Installation accessories

RA 420 010

Door lock for RW 414 and RW 464.

RA 421 110

Stainless steel door panel with handle
For 45.7 cm wide appliances, panel
thickness 19 mm.

RA 421 111

Stainless steel door panel frame with
handle
For 45.7 cm wide appliances,
left-hinged, panel thickness 19 mm.

RA 421 112

Stainless steel door panel frame with
handle
For 45.7 cm wide appliances,
right-hinged, panel thickness 19 mm.

RA 423 140

Side trims, long.

RA 425 110

Handle bar, stainless steel, long
With 3 mounts, length 1131 mm,
drilling distance between each mount
554 mm.

RA 428 110

Stainless steel door panel, handleless
For 45.7 cm wide appliances, panel
thickness 19 mm.

RA 428 111

Stainless steel door panel frame,
handleless
For 45.7 cm wide appliances, panel
thickness 19 mm.

RA 460 013

Additional side heating element 230 V.
Required if appliances are installed
with a distance greater than 16 mm and
less than 160 mm next to each other
and for all built-in situations in a very
humid environment. Not required if
appliances are installed more than
160 mm apart from each other.

RA 460 020

Connecting element for vertically split
appliance fronts (for a flush front).

RA 464 111

Ventilation grille stainless steel
For 45.7 cm wide appliances.

Vario wine climate cabinet 400 series

RW 414

- 2 independently controllable
climate zones
- Consistent temperatures with exact
control from +5 °C to +20 °C
- Humidity control
- Stainless steel interior
- Fully extendable bottle trays in oak
wood and solid aluminium in
anthracite
- Bottle trays with hidden telescopic
rails
- Warm white and glare-free LED
light spots
- 5 preset lighting scenarios,
selectable via TFT display
- Opening assist for door with two
options:
 1. Push-to-open function for
integration into handleless furniture
front
 2. Pull-to-open function to facilitate
opening the door using a handle
- Low-vibration operation
- TFT touch display
- Capacity 70/70 bottles

Handling

TFT touch display operation.
Clear text display.

Technical Features

Dynamic cold air distribution.
Automatic defrosting with defrost water
evaporation.
Cushioned door closing system.
Activated charcoal air filter.
UV-protection.
Rest mode certified by Star-K.
When rest mode is active, the appliance
can only be opened using a handle.
Open-door and malfunction alarm.

Home network integration for digital
services (Home Connect) wireless via
WiFi.

The use of the Home Connect
functionality depends on the Home
Connect services, which are not
available in every country. For further
information please check:
home-connect.com.

Please read additional information on
Home Connect on page 420.

Features

Capacity 70/70 bottles
(based on 0.75/l standard bottles).
12 bottle trays,
- 10 fully extendable trays
- 3 suitable for storage of Magnum
bottles.
Flexible interior configuration possible
by adding or removing fully extendable
bottle trays.
Storage of up to 6 Magnum bottles
with standard tray configuration
(12 bottle trays).
Space for max. 13 bottle trays.
2 brilliant LED light spots with warm
white, glare-free light in each climate
zone.
5 different lighting scenarios can be
selected for individual wine
presentation.
Net volume 263/263 litres.

Special accessories

RA 430 000

Screw hole cover set. 8 pieces.

RA 491 161

Fully extendable bottle trays with
hidden telescopic rails in oak wood
and solid aluminium in anthracite
For 45.7 cm wide appliances.

RA 492 160

Removable shelf with oak wood frame
Suitable for decanters and open
bottles.
For 45.7 cm wide appliances.

RA 493 060

Presenter in oak wood and aluminium
in anthracite for single bottle display
1 piece.

RA 498 140

Bottle support in oak wood for
convenient storage of bottles on the
division plate.
For 45.7 cm wide appliances.

Consumption data

Energy efficiency class A/A+ at a
range of energy efficiency classes from
A+++ to G.

Energy consumption

167/127 kWh/year.

Noise level 42/42 dB (re 1 pW).

Planning notes

Flat hinge.

Door hinge right, reversible.

Door opening angle of 115°,
fixable at 90°.

Max. door panel weight 76/76 kg.

The mains socket needs to be planned
outside the built-in niche.

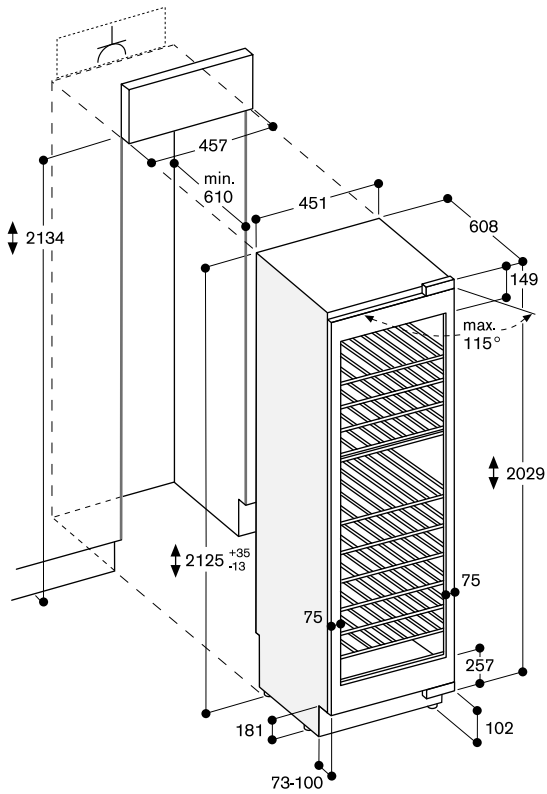
No transport/operation above
1.500 m sea level.

Please read additional planning notes
on page 326 – 333.

Connection

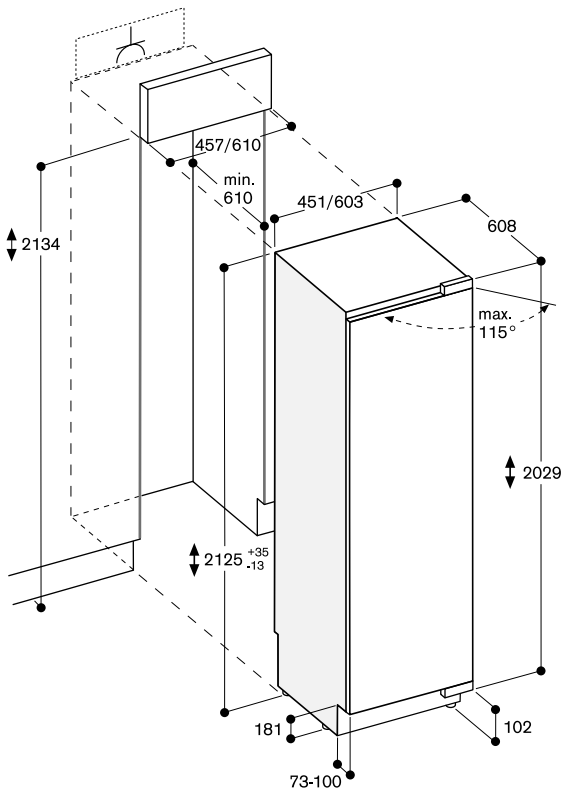
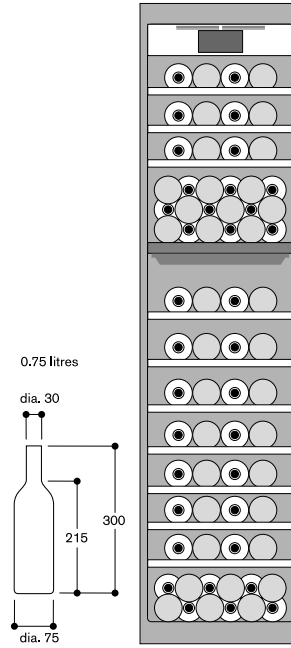
Total connected load 0.300/0.300 kW.

Connecting cable 3.0 m, pluggable.



The maximum door panel dimensions are based on a clearance of 3 mm.

Bottle storage



The maximum door panel dimensions are based on a clearance of 3 mm.

Additional planning notes for Vario cooling 400 series

The side walls of the adjacent cabinetry have to be dimensionally stable, as the Vario cooling appliances are secured in the niche with only an anti-tilt bracket on the top back and on the bottom at the side.

Vario cooling appliances can be installed handle to handle as a side-by-side combination. In this case the side-by-side installation kit RA 460 000 is required. If the distance between the appliances is greater than 16 mm or less than 160 mm or the environment very humid the additional side heating element RA 460 013 needs to be installed between the appliances to avoid condensation.

If the appliances are combined hinge to handle in a very humid environment the additional side heating element RA 460 013 is required as well. It can be omitted if the distance between the appliances is greater than 160 mm. The additional side heating element RA 460 013 does not take up any additional space. It is already included in the niche dimensions.

If the Vario cooling appliances are joined together hinge to hinge an additional stable side wall must be foreseen.

If restrictions in use are accepted (no simultaneous opening of the doors possible) the appliances can be joined together directly, **using the side-by-side installation accessory RA 460 000.**

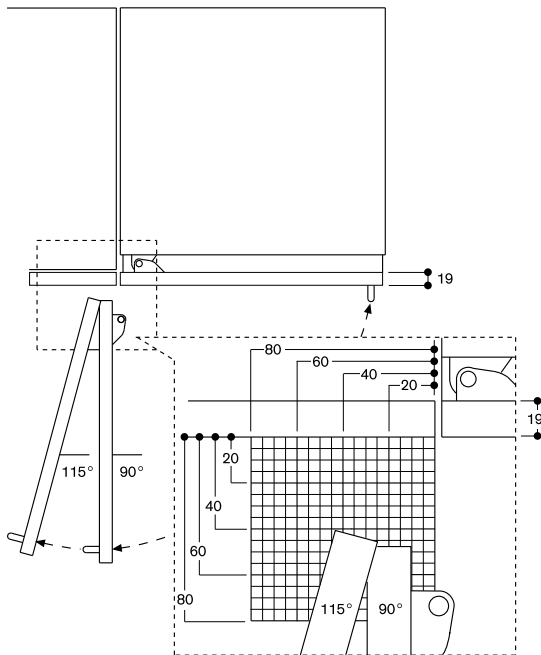
When installing a Vario cooling appliance from the 400 series handleless next to a BO/BM/BS/CM from the oven 400 series, a minimum lateral distance of 30 mm is required, if the door of the Vario cooling appliance opens towards the BO/BM/BS/CM. When installing a Vario cooling appliance from the 400 series next to a BO/BM/BS from the ovens 400 series, a lateral distance of 60 mm is required, if the BO/BM/BS retrofitted handle is on the same side as the Vario cooling appliance door hinge. For the same installation next to a BOP/BMP/BSP from the ovens 200 series, a distance of 40 mm is required.

Door opening angle

To ensure correct kitchen planning it is essential to take into account the opening angle of the appliance door (plus fitted cabinet door and handle). There should be no possibility of collision with other kitchen furnishings (worktops, handles of other cabinetry etc.) or parts of the room (walls, protrusions etc.).

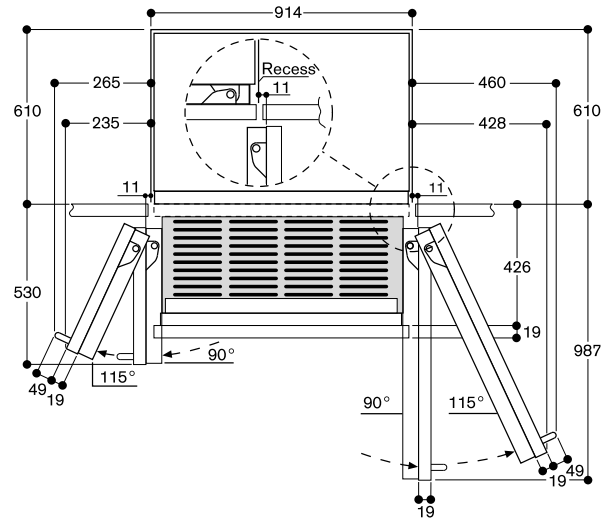
The space needed for the hinge and the consequential distance to the adjacent cabinetry and its handle can, depending on the panel thickness, be seen in the following drawing. The drawing assumes a panel thickness of 19 mm.

If a collision occurs, the following options are available to remedy the situation: **Restrict the door opening angle to 90° (standard 115°). Pin to restrict the angle is enclosed with the appliance. Due to limitation in use, it is not recommended to install a freezer (RF 411, RF 461, RF 463, RF 471) next to a wall which requires a door angle of 90° or any other installation which require a 90° door angle.** If the restrictions in use are accepted, the ice storage container must be exchanged for the small ice storage container (RA 448 220). This must be done prior fixing the door. Fit a spacer between the appliance and the cabinetry that it would collide with. Rearrange surrounding cabinetry or appliance.



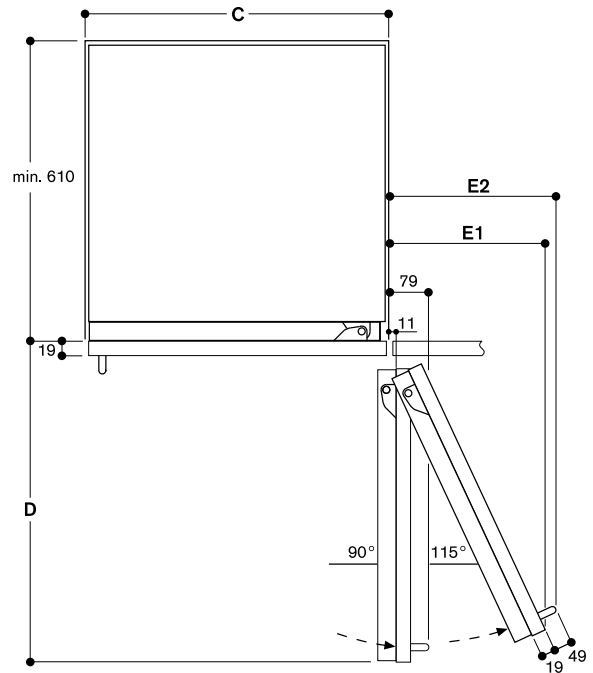
The hinge travel and resulting clearances from adjacent furniture units and handles can be found from the drawing while allowing for the thickness of the front panel. In the drawing, a furniture unit front panel thickness of 19 mm was assumed.

Wall clearance RB 492/RV 492



In the drawing, a unit front thickness of 19 mm and a Gaggenau unit handle of 49 mm were taken as a basis.

Wall clearance RB 472/RC/RF/RW



Recess width	D	E1	E2
C			
457 mm	525 mm	235 mm	265 mm
610 mm	677 mm	299 mm	330 mm
762 mm	830 mm	364 mm	395 mm
914 mm	980 mm	428 mm	460 mm

In the drawing, a unit front thickness of 19 mm and a Gaggenau unit handle of 49 mm were taken as a basis.

Notes:

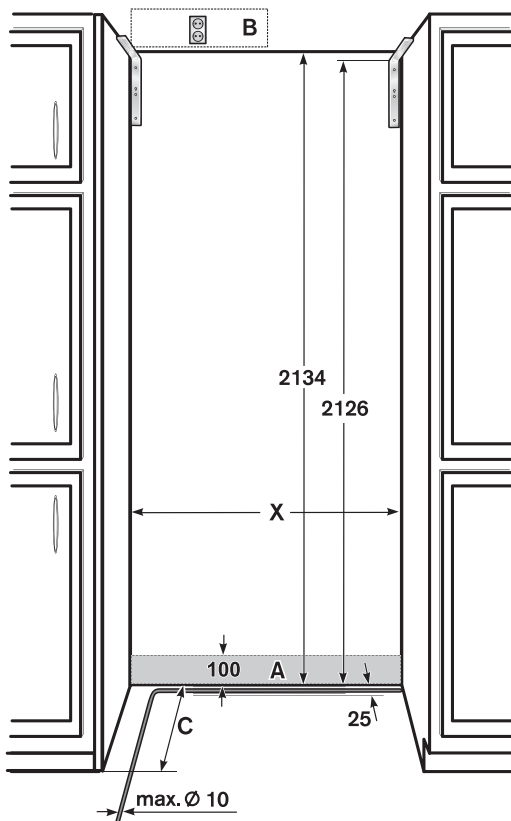
- The adjustable feet have an adjustment range of +35 mm to -13 mm. The standard height displayed in the pictures is 0 mm.
- For proper ventilation of the appliance, the clearance between the floor and bottom edge of the cabinet front must be at least 100 mm.
- The panel thickness of customised doors can range from between 19 mm and 38 mm (in the picture 19 mm).

Unlike conventional built-in appliances, Vario cooling appliances stand on the floor. This means that the installation niche is a space in a line of kitchen units.

Installation niche

The specified dimensions of the installation niche must be observed to guarantee the proper installation of the appliance and the design of the cabinet front. It is particularly important that the installation niche is square. The side walls must be smooth, not have any protrusions or unevenness. Use the appropriate tools, e.g. spirit level, diagonal measurements, etc. to determine whether the installation niche is square. The side walls and the crown of the installation niche must be at least 16 mm thick.

Installation niche for an individual appliance:



- A Area for installation the water connection
- B Area for installation the electrical connection must be outside the niche
- C Depth of installation niche, depending on kitchen design.
C = 610 mm minimum!
- X Width of installation niche, refer to the table below for more details:

Appliance type	Width of the niche X
451 mm	457 mm
603 mm	610 mm
756 mm	762 mm
908 mm	914 mm

Installation niche for a side-by-side solution:

In a side-by-side solution, there are many ways to combine the appliances. The width of the installation niche is calculated from the sum of the widths of the individual appliances. The height and depth of the installation niche correspond to the specifications for the individual appliances. It is important to comply with the dimensions in the area set aside for electric and water connections. For the precise dimensions, please refer to the details given for individual appliances.

Location

The appliance should be installed in a dry, well ventilated room. The location of the appliance should not be subject to direct sunlight or near a source of heat, such as a cooker, a radiator, etc. If installation next to a heat source is unavoidable, use a suitable insulating plate or observe the following minimum distances from the heat source:
 - 3 cm to electric or gas cookers.
 - 30 cm to an oil-fired or solid-fuel cooker.
 The floor of the installation location must not give way; if required, reinforce floor. To ensure that the ice maker functions correctly, the appliance must be upright.

Surface

To ensure that the appliance is installed securely and functions properly, the surface must be level and even. The floor must consist of a hard, rigid material. The floor in the installation area must have the same height as the floor in the rest of the room. Due to the heavy weight of a fully loaded appliance, the floor beneath must be stable. If in doubt, consult an architect, structural engineer or construction expert.

Neighbouring cabinetry

The new appliance is screwed firmly in place with the neighbouring cabinet parts. Care should be taken to ensure that all cupboards onto which something is fastened, are connected firmly to the floor or the wall. The thickness of the plinth can be a maximum 19 mm.

Base area | Crown of the niche

Base area

Important!

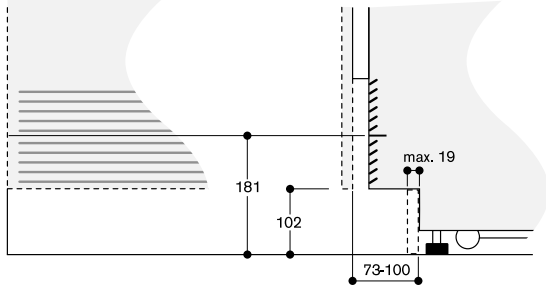
Poor ventilation leads to damage to the appliance!
Under no circumstances is it permitted to cover the air inlets and the exhaust air outlets of the appliance in the lower base area. You must observe the minimum distance of 100 mm between the upper edge of the floor and the bottom edge of the cabinet door of the appliance. Take this into consideration also when adjusting the appliance feet.

In relation to the standard height, the maximum height of the base board is 102 mm. The plinth can be maximum 19 mm thick.

Adhesive connectors are supplied on the front panel of the appliance for fitting the base board.

The air inlets and the exhaust air outlets of the appliance are located above the base board. They must not be covered.

Base detail



Based on the standard appliance height, the height of the plinth is 102 mm. Maximum plinth thickness 19 mm.

For design reasons, it may be necessary to increase the distance between the upper edge of the floor and the bottom edge of the cabinet door of the appliance, so that it extends beyond the standard dimension of 102 mm. The maximum dimension is 181 mm. If this is the case, air inlets and exhaust air outlets would become visible!

Crown

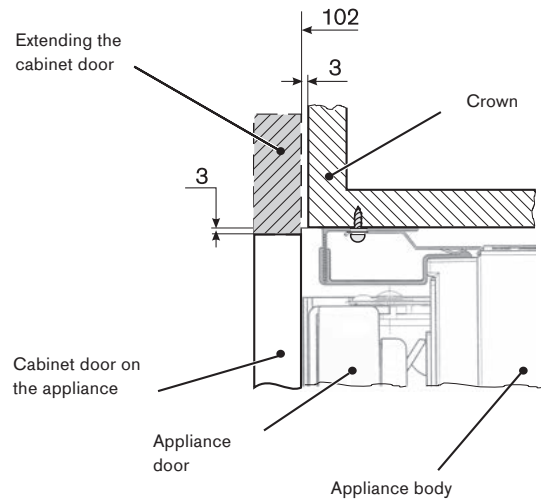
The height of the cabinet door on the appliance is dependent on:

- the overall height of the appliance,
- the distance from the bottom edge of the cabinet door to the floor,
- the appliance type (one-door or multi-door appliances).

The overall height of the appliance is 2.029 mm.

The height can be adjusted within a range of -13 mm to +35 mm. You must observe the minimum distance of 100 mm between the upper edge of the floor and the bottom edge of the cabinet door of the appliance.

This height can vary depending on the conditions at the site. It is possible, e.g. for design reasons, to lengthen the cabinet door upwards by extending it beyond the top of the appliance.



Important!

It must be ensured that the crown of the installation niche always has a depth of at least 100 mm (measured from the front edge of the appliance). Only then can the secure installation of the appliance in the installation niche be guaranteed.

The cabinetry, the height of the base board, the overall height of the kitchen and other determining dimensions of the kitchen must be taken into account, in order to plan the exact positioning of the cabinet door so that the appliance integrates perfectly into the overall picture of the kitchen.

The following diagrams show the basic dimensions of the special accessories door fronts/door front frames for various appliances.

The dimensions of the doors shown are designed for the following basic specifications:

- Height of the base board: 102 mm
- Overall height of the installation niche: 2.134 mm
- Gap: 3 mm
- Panel thickness: 19 mm

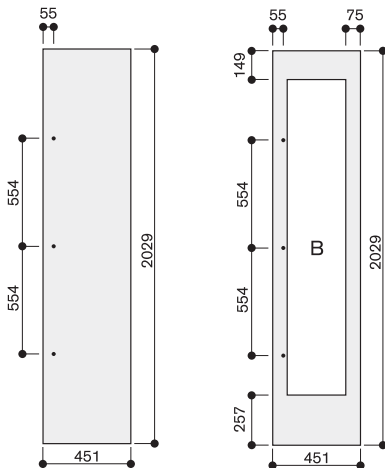
These specifications provide you with a good starting point for a variety of kitchen designs.

When designing a customised cabinet door, please ensure that the back of the cabinet door is visible to a height of 205 mm over the floor when opening the appliance door and adapt to the front design. All diagrams are also valid for doors without handle.

Important!

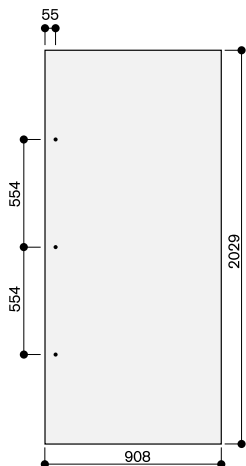
The following diagrams are not a substitute for detailed designs. Compliance with specified requirements relating to kitchen design is essential.

Recess width 45.7 cm



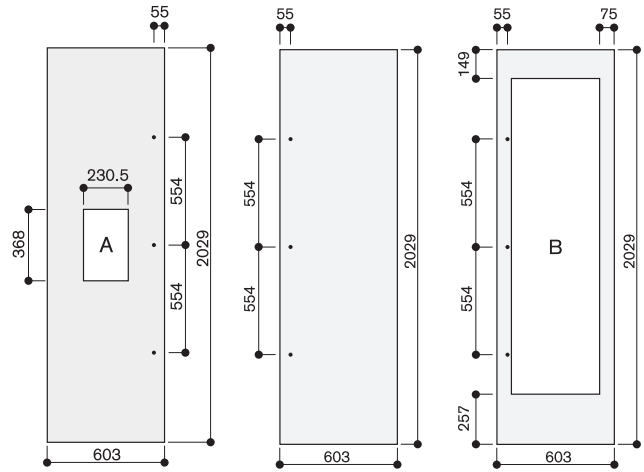
The door panel thickness is 19 mm.
The maximum door panel dimensions are based on a clearance of 3 mm, based on a single recess.
B: Width of the side frame parts of the door panel can be between 65 mm and 82 mm.

Appliance width 91.4 cm



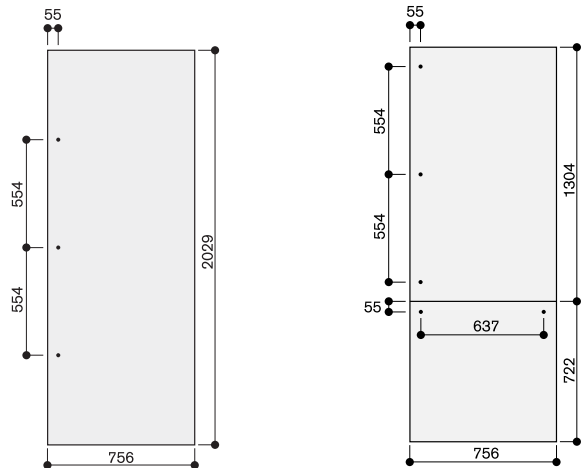
The door panel thickness is 19 mm.
The maximum door panel dimensions are based on a clearance of 3mm, based on a single recess.

Recess width 61 cm



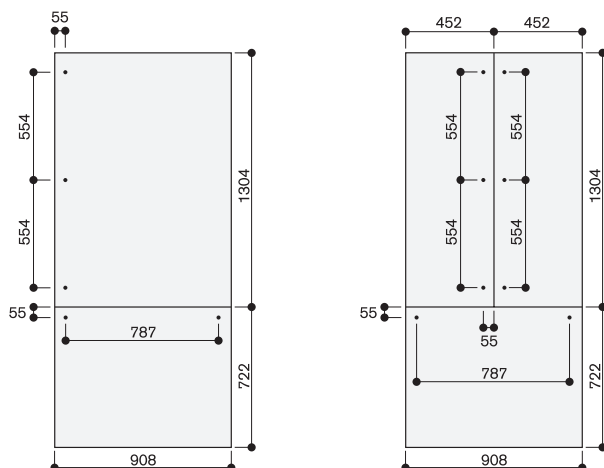
The door panel thickness is 19 mm.
The maximum door panel dimensions are based on a clearance of 3 mm, based on a single recess.
A: The cut-out for the ice and water dispenser is designed so that it is horizontally and vertically centred.
B: Width of the side frame parts of the door panel can be between 65 mm and 82 mm.

Recess width 76.2 cm



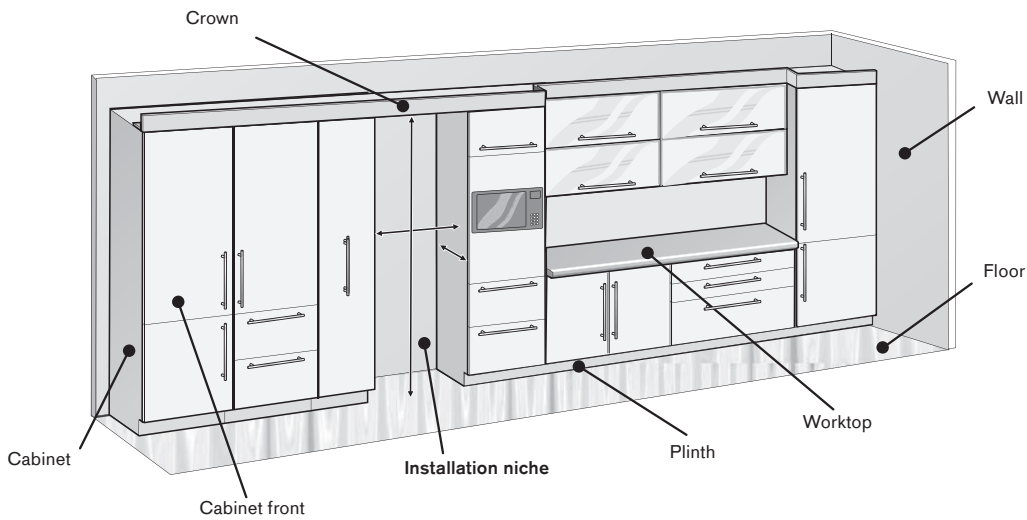
The door panel thickness is 19 mm.
The maximum door panel dimensions are based on a clearance of 3 mm, based on a single recess.

Recess width 91.4 cm

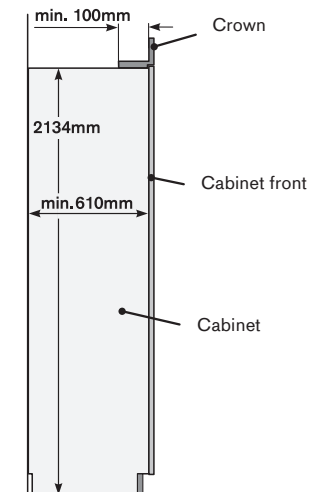


The door panel thickness is 19 mm.
The maximum door panel dimensions are based on a clearance of 3 mm, based on a single recess.

Planning principle for an individual appliance

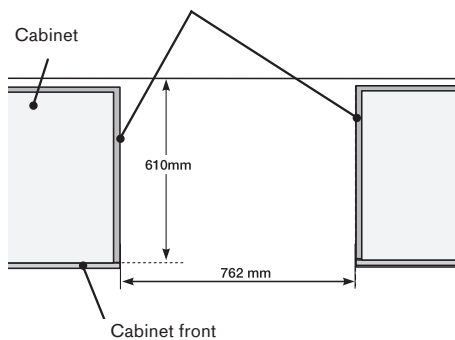


Vertical cut Installation niche



The side walls of the installation niche must be completely even and flat along their entire depth.

Horizontal cut Installation niche



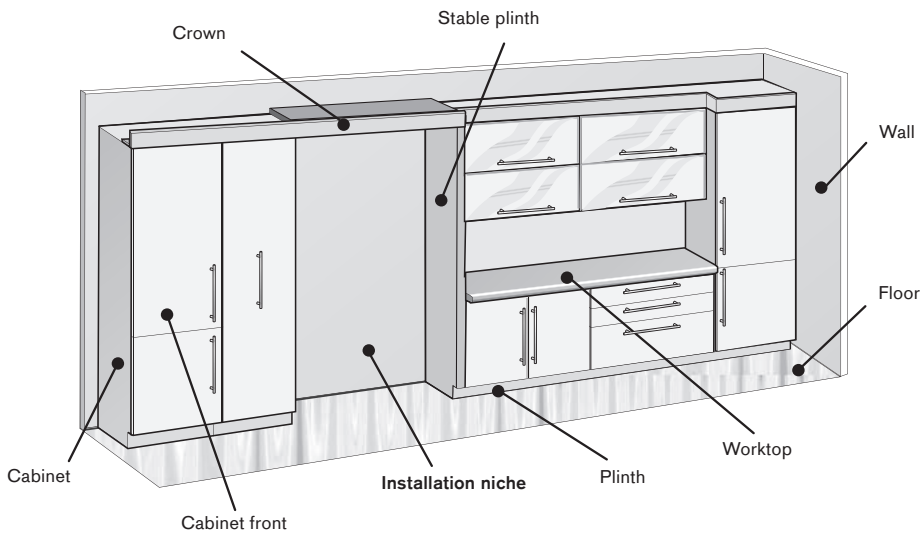
Installation niche for an individual cooling appliance (example: 762 mm wide)

In this example, the installation niche is formed by two tall cupboards (left and right) with an appropriate crown to the niche.

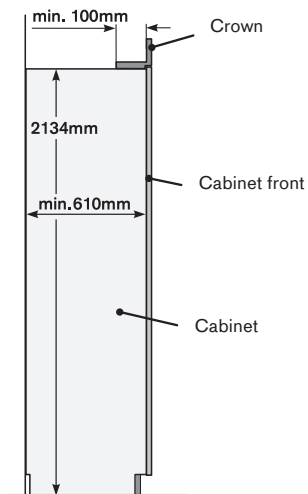
The cabinet door for the appliance comes in an identical design to the other kitchen fronts.

Requirements for the installation niche:

- The side walls of the installation niche must be completely even and flat along their entire depth
- Crown is at least 100 mm deep and made of a solid material (min. 16 mm thick)
- Width of the installation niche: 762 mm
- Depth of the installation niche: min. 610 mm



Vertical cut Installation niche



Installation niche for a side-by-side solution

- 610 mm cooling appliance (right)
- 457 mm freezer (left)

In this example, the installation niche is formed by a tall cupboard (left) and a stable plinth (right) together with an appropriate crown for the niche.

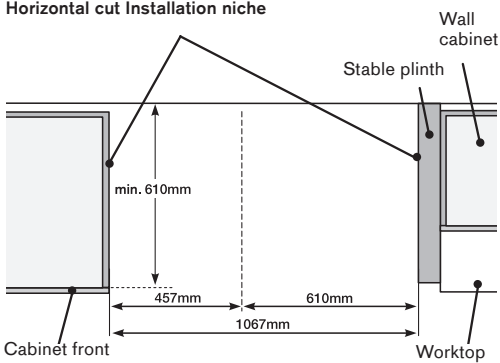
The cabinet door for both appliances comes in an identical design to the other kitchen fronts.

Requirements for the installation niche:

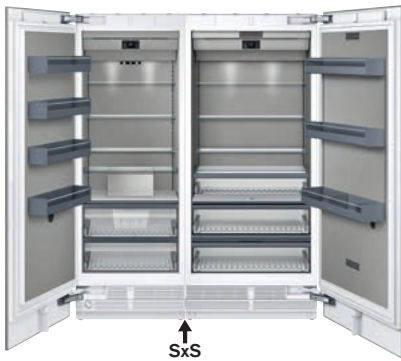
- The side walls of the installation niche must be completely even and flat along their entire depth
- Crown is at least 100 mm deep and made of a solid material (min. 16 mm thick)
- Width of the installation niche:
610 mm + 457 mm = 1.067 mm
- Depth of the installation niche: min. 610 mm

The side walls of the installation niche must be completely even and flat along their entire depth.

Horizontal cut Installation niche



Planning examples



Side-by-side solution 1

RF 471 / RC 492

Usability limitations: No limitation.

Installation accessories: 1x RA 460 000 installation accessories for side-by-side installation (SxS)*.

Notes: Door hinges on the outside.



Side-by-side solution 2

RW 414 / RB 472

Usability limitations: No limitation.

Installation accessories: 1x RA 460 000 installation accessories for side-by-side installation (SxS)*.

Notes: Door hinges on the outside. Change door hinge of RW.

If using the stainless steel fronts with a handle (installation accessories), select the correct door hinges for the RW.



Side-by-side solution 3

RF 414 / RY 492

Usability limitations: Not all doors can be opened at the same time. The left door of the RY may collide with the handle of the RW.

Installation accessories: 1x RA 460 000 installation accessories for side-by-side installation (SxS)*.

Notes: Fitting the left RY doors at 90° is recommended. Change door hinge of RW. If using the stainless steel fronts with a handle (installation accessories), select the correct door hinges for the RW.



Combination of 3

RF 461 / RW 466 / RC 462

Usability limitations: The doors of RW and RC cannot be opened at the same time, but one after another.

Installation accessories: 2x RA 460 000 installation accessories for side-by-side installation (SxS)*.

Notes: All three appliances must be connected to each other before installation and pushed together into the installation niche.



Maximum distance

RF 471 / RF 463 / RW 466 / RC 472

Usability limitations: No limitation. All doors can be opened fully.

Installation accessories: 2x RA 460 000 (SxS)*.

Notes: Two separate installation niches. Clearance is large enough to open all doors at the same time. Change door hinge of RW 466.

If using the stainless steel fronts with a handle (installation accessories), select the correct door hinges for the RW.



Distance \geq 160 mm

RF 471 / RF 463 / RW 466 / RC 472

Usability limitations: The middle doors cannot be opened at the same time.

Installation accessories: 2x RA 460 000 (SxS)*.

Notes: Two separate installation niches. The clearance between the two installation niches is greater than 160 mm. Change door hinge of RW.

If using the stainless steel fronts with a handle (installation accessories), select the correct door hinges for the RW.



Distance \leq 160 mm

RF 471 / RF 463 / RW 466 / RC 472

Usability limitations: It may be necessary to open the middle doors one after the other, rather than at the same time.

Installation accessories: 2x RA 460 000 (SxS)*, 1x RA 460 013 (HE)*.

Notes: Two separate installation niches with a stable plinth between them. The clearance between the two installation niches is less than 160 mm. Therefore, an additional side heating element is required. Change door hinge of RW. If using the stainless steel fronts with handle (installation accessories), select the correct door hinges for the RW.



Combination of 4

RF 471 / RF 463 / RW 466 / RC 472

Usability limitations: If the middle door is open, then neither of the outer doors can be opened.

Installation accessories: 3x RA 460 000 installation accessories for side-by-side installation (SxS)*.

Notes: The appliances in the middle are connected side-by-side. Connecting the others will require additional side-by-side installation accessory. All four appliances must be connected to each other before installation and pushed together into the installation niche.



Combination of 4 - alternative

RF 471 / RF 463 / RW 466 / RC 472

Usability limitations: The middle doors cannot be opened at the same time.

Installation accessories: 3x RA 460 000 installation accessories for side-by-side installation (SxS)*.

Notes: The appliances in the middle are connected hinge to hinge. All four appliances must be connected to each other before installation and pushed together into the installation niche. Change door hinge of RF 471 and RW 466. If using the stainless steel fronts with handle (installation accessories), select the correct door hinges for the RW.

Footnote:

*SxS Accessory for side-by-side installation. In a very humid environment always use the additional side heating element instead of the accessory for side-by-side installation.

*HE Additional side heating element. Always required, if the distance between the appliances is greater than 16 mm or less than 160 mm.



RW 466 364

Fully integrated, with glass door
Niche width 61 cm,
Niche height 213.4 cm

RW 466 304

Fully integrated, with solid door
Niche width 61 cm,
Niche height 213.4 cm

Included in the price

1 Accessory for side-by-side installation

Installation accessories

RA 420 010

Door lock for RW 414 and RW 464.

RA 421 610

Stainless steel door panel with handle
For 61 cm wide appliances, panel thickness 19 mm.

RA 421 611

Stainless steel door panel frame with handle
For 61 cm wide appliances, left-hinged, panel thickness 19 mm.

RA 421 612

Stainless steel door panel frame with handle
For 61 cm wide appliances, right-hinged, panel thickness 19 mm.

RA 423 140

Side trims, long.

RA 425 110

Handle bar, stainless steel, long
With 3 mounts, length 1131 mm,
drilling distance between each mount 554 mm.

RA 428 610

Stainless steel door panel, handleless
For 61 cm wide appliances, panel thickness 19 mm.

RA 428 611

Stainless steel door panel frame, handleless
For 61 cm wide appliances, panel thickness 19 mm.

RA 460 013

Additional side heating element 230 V. Required if appliances are installed with a distance greater than 16 mm and less than 160 mm next to each other and for all built-in situations in a very humid environment. Not required if appliances are installed more than 160 mm apart from each other.

RA 460 020

Connecting element for vertically split appliance fronts (for a flush front).

RA 464 611

Ventilation grille stainless steel
For 61 cm wide appliances.

Vario wine climate cabinet 400 series

RW 466

- 3 independently controllable climate zones
- Consistent temperatures with exact control from +5 °C to +20 °C
- Humidity control
- Stainless steel interior
- Fully extendable bottle trays in oak wood and solid aluminium in anthracite
- Bottle trays with hidden telescopic rails
- Warm white and glare-free LED light spots
- 5 preset lighting scenarios, selectable via TFT display
- Opening assist for door with two options:
 1. Push-to-open function for integration into handleless furniture front
 2. Pull-to-open function to facilitate opening the door using a handle
- Low-vibration operation
- TFT touch display
- Capacity 99/99 bottles

Handling

TFT touch display operation.
Clear text display.

Technical Features

Dynamic cold air distribution.
Automatic defrosting with defrost water evaporation.
Cushioned door closing system.
Activated charcoal air filter.
UV-protection.
Rest mode certified by Star-K.
When rest mode is active, the appliance can only be opened using a handle.
Open-door and malfunction alarm.

Home network integration for digital services (Home Connect) wireless via WiFi.

The use of the Home Connect functionality depends on the Home Connect services, which are not available in every country. For further information please check: home-connect.com.

Please read additional information on Home Connect on page 420.

Features

Capacity 99/99 bottles (based on 0.75/l standard bottles).
12 bottle trays,
- 9 fully extendable trays
- 3 suitable for storage of Magnum bottles.
Flexible interior configuration possible by adding or removing fully extendable bottle trays.
Storage of up to 12 Magnum bottles with standard tray configuration (12 bottle trays).
Space for max. 12 bottle trays.
2 brilliant LED light spots with warm white, glare-free light in each climate zone.
5 different lighting scenarios can be selected for individual wine presentation.
Net volume 361/361 litres.

Special accessories

RA 430 000

Screw hole cover set. 8 pieces.

RA 491 661

Fully extendable bottle trays with hidden telescopic rails in oak wood and solid aluminium in anthracite
For 61 cm wide appliances.

RA 492 660

Removable shelf with oak wood frame
Suitable for decanters and open bottles.
For 61 cm wide appliances.

RA 493 060

Presenter in oak wood and aluminium in anthracite for single bottle display
1 piece.

RA 498 640

Bottle support in oak wood for convenient storage of bottles on the division plate.
For 61 cm wide appliances.

Consumption data

Energy efficiency class A/A+ at a range of energy efficiency classes from A+++ to G.

Energy consumption

171/130 kWh/year.

Noise level 42/42 dB (re 1 pW).

Planning notes

Flat hinge.

Door hinge right, reversible.

Door opening angle of 115°, fixable at 90°.

Max. door panel weight 73/73 kg.

The mains socket needs to be planned outside the built-in niche.

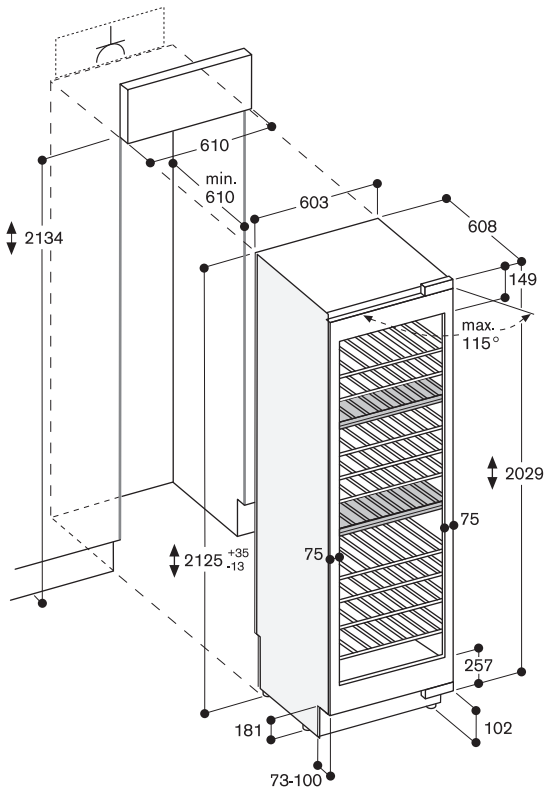
No transport/operation above 1.500 m sea level.

Please read additional planning notes on page 326 – 333.

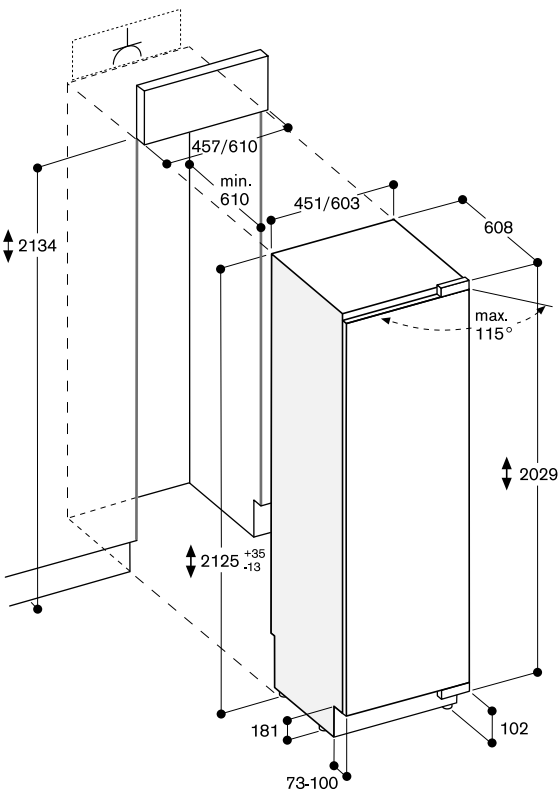
Connection

Total connected load 0.300/0.300 kW.

Connecting cable 3.0 m, pluggable.

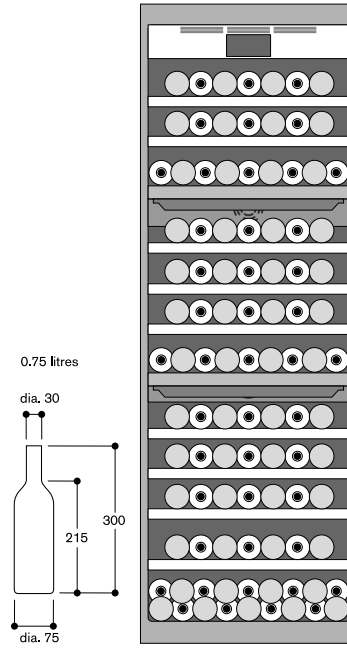


The maximum door panel dimensions are based on a clearance of 3 mm.



The maximum door panel dimensions are based on a clearance of 3 mm.

Bottle storage





RW 414 364

Fully integrated, with glass door
Niche width 45.7 cm,
Niche height 213.4 cm

RW 414 304

Fully integrated, with solid door
Niche width 45.7 cm,
Niche height 213.4 cm

Included in the price

1 Accessory for side-by-side installation

Installation accessories

RA 420 010

Door lock for RW 414 and RW 464.

RA 421 110

Stainless steel door panel with handle
For 45.7 cm wide appliances, panel thickness 19 mm.

RA 421 111

Stainless steel door panel frame with handle
For 45.7 cm wide appliances, left-hinged, panel thickness 19 mm.

RA 421 112

Stainless steel door panel frame with handle
For 45.7 cm wide appliances, right-hinged, panel thickness 19 mm.

RA 423 140

Side trims, long.

RA 425 110

Handle bar, stainless steel, long
With 3 mounts, length 1131 mm, drilling distance between each mount 554 mm.

RA 428 110

Stainless steel door panel, handleless
For 45.7 cm wide appliances, panel thickness 19 mm.

RA 428 111

Stainless steel door panel frame, handleless
For 45.7 cm wide appliances, panel thickness 19 mm.

RA 460 013

Additional side heating element 230 V. Required if appliances are installed with a distance greater than 16 mm and less than 160 mm next to each other and for all built-in situations in a very humid environment. Not required if appliances are installed more than 160 mm apart from each other.

RA 460 020

Connecting element for vertically split appliance fronts (for a flush front).

RA 464 111

Ventilation grille stainless steel
For 45.7 cm wide appliances.

Vario wine climate cabinet 400 series

RW 414

- 2 independently controllable climate zones
- Consistent temperatures with exact control from +5 °C to +20 °C
- Humidity control
- Stainless steel interior
- Fully extendable bottle trays in oak wood and solid aluminium in anthracite
- Bottle trays with hidden telescopic rails
- Warm white and glare-free LED light spots
- 5 preset lighting scenarios, selectable via TFT display
- Opening assist for door with two options:
 1. Push-to-open function for integration into handleless furniture front
 2. Pull-to-open function to facilitate opening the door using a handle
- Low-vibration operation
- TFT touch display
- Capacity 70/70 bottles

Handling

TFT touch display operation.
Clear text display.

Technical Features

Dynamic cold air distribution.
Automatic defrosting with defrost water evaporation.
Cushioned door closing system.
Activated charcoal air filter.
UV-protection.
Rest mode certified by Star-K.
When rest mode is active, the appliance can only be opened using a handle.
Open-door and malfunction alarm.

Home network integration for digital services (Home Connect) wireless via WiFi.

The use of the Home Connect functionality depends on the Home Connect services, which are not available in every country. For further information please check: home-connect.com.

Please read additional information on Home Connect on page 420.

Features

Capacity 70/70 bottles (based on 0.75/l standard bottles).
12 bottle trays,
- 10 fully extendable trays
- 3 suitable for storage of Magnum bottles.
Flexible interior configuration possible by adding or removing fully extendable bottle trays.
Storage of up to 6 Magnum bottles with standard tray configuration (12 bottle trays).
Space for max. 13 bottle trays.
2 brilliant LED light spots with warm white, glare-free light in each climate zone.
5 different lighting scenarios can be selected for individual wine presentation.
Net volume 263/263 litres.

Special accessories

RA 430 000

Screw hole cover set. 8 pieces.

RA 491 161

Fully extendable bottle trays with hidden telescopic rails in oak wood and solid aluminium in anthracite
For 45.7 cm wide appliances.

RA 492 160

Removable shelf with oak wood frame
Suitable for decanters and open bottles.
For 45.7 cm wide appliances.

RA 493 060

Presenter in oak wood and aluminium in anthracite for single bottle display
1 piece.

RA 498 140

Bottle support in oak wood for convenient storage of bottles on the division plate.
For 45.7 cm wide appliances.

Consumption data

Energy efficiency class A/A+ at a range of energy efficiency classes from A+++ to G.

Energy consumption

167/127 kWh/year.

Noise level 42/42 dB (re 1 pW).

Planning notes

Flat hinge.

Door hinge right, reversible.

Door opening angle of 115°, fixable at 90°.

Max. door panel weight 76/76 kg.

The mains socket needs to be planned outside the built-in niche.

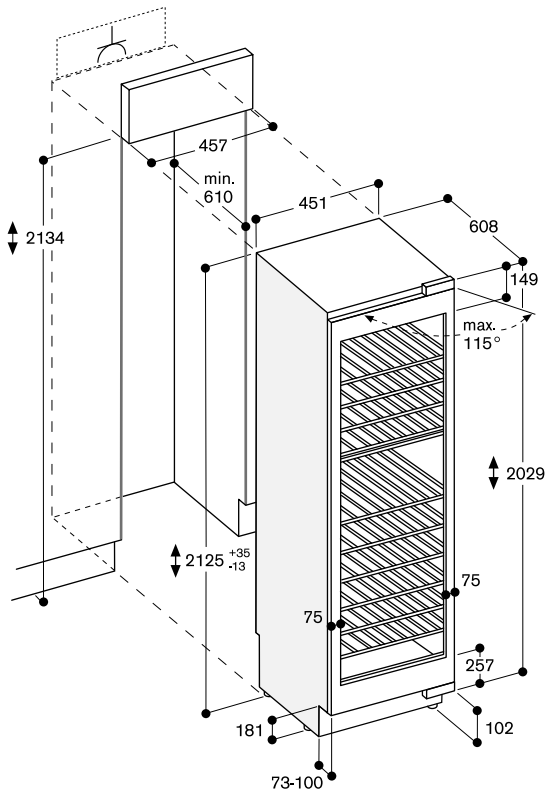
No transport/operation above 1.500 m sea level.

Please read additional planning notes on page 326 – 333.

Connection

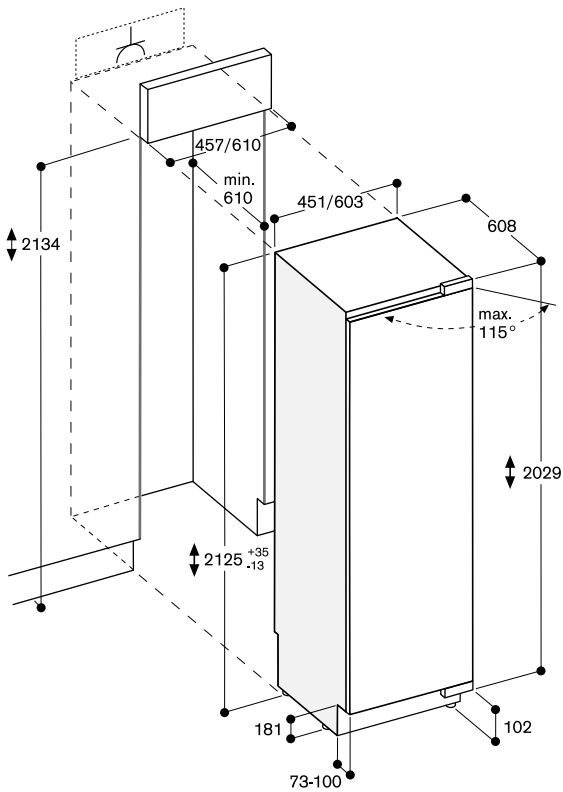
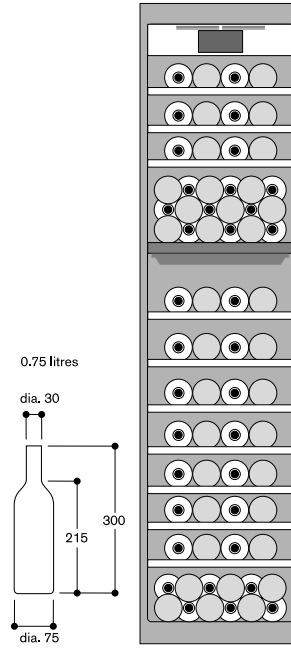
Total connected load 0.300/0.300 kW.

Connecting cable 3.0 m, pluggable.



The maximum door panel dimensions are based on a clearance of 3 mm.

Bottle storage



The maximum door panel dimensions are based on a clearance of 3 mm.



RW 282 261

Fully integrated, with glass door
Niche width 56 cm,
Niche height 177.2 cm

Special accessories

RA 050 220
Replacement activated charcoal air
filter.

Wine climate cabinet 200 series

RW 282

- 2 independently controllable climate zones
- Consistent temperatures with exact control from +5 °C to +20 °C
- Humidity control
- Extendable bottle trays in beech and aluminium
- Presentation light option
- Low-vibration operation
- Capacity 80 bottles

Handling

Electronic temperature control with digital display.
Touch keys.
Presentation light option in each climate zone, dimmable.
Interior lighting with automatic dimming with opening and closing of door.

Technical Features

Dynamic cold air distribution.
Automatic defrosting with defrost water evaporation.
Cushioned door closing system integrated in door hinge.
1 activated charcoal air filter for both climate zones.
UV-protection.
Open-door and malfunction alarm.
Child lock.

Features

Capacity 80 bottles
(based on 0.75/l standard bottles).
10 bottle trays, 8 of which are extendable.
Storage of magnum bottles possible.
LED lighting.
Net volume 254 litres.

Consumption data

Energy efficiency class A at a range of energy efficiency classes from A+++ to G.
Energy consumption 160 kWh/year.
Noise level 35 dB (re 1 pW).

Planning notes

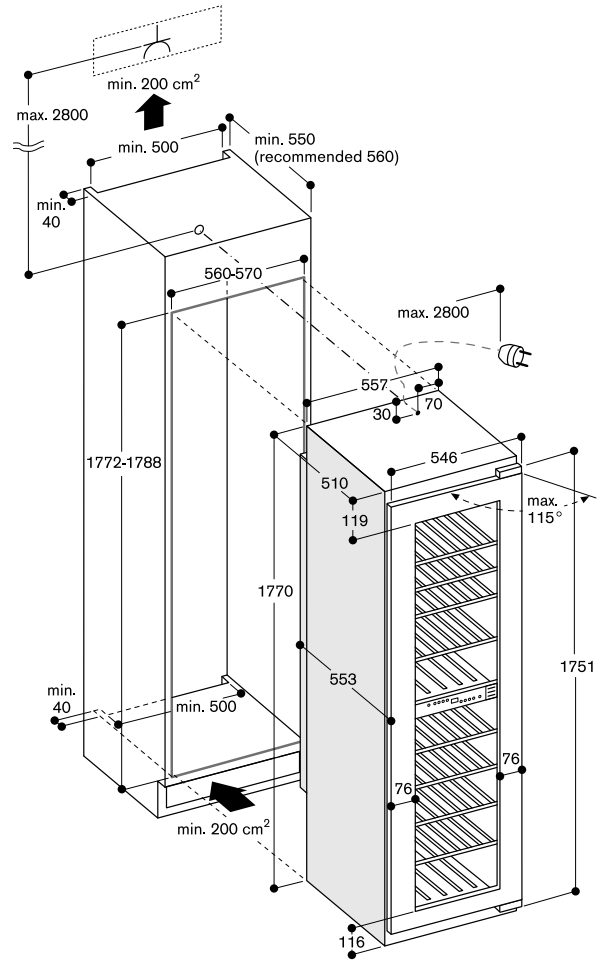
Flat hinge.
Door hinge right, reversible.
Height-adjustable feet.
Door opening angle of 115°, fixable at 90°.
Max. door panel weight 20 kg.
Door panel thickness min. 16 mm/max. 22 mm.
The mains socket needs to be planned outside the built-in niche.
For a side-by-side installation every appliance must be planned in its own niche.

When combining the wine climate cabinet with cooling appliances other than a second wine climate cabinet, a clearance of min. 150 mm is to be kept between the appliances to avoid condensation due to lack of side heating.

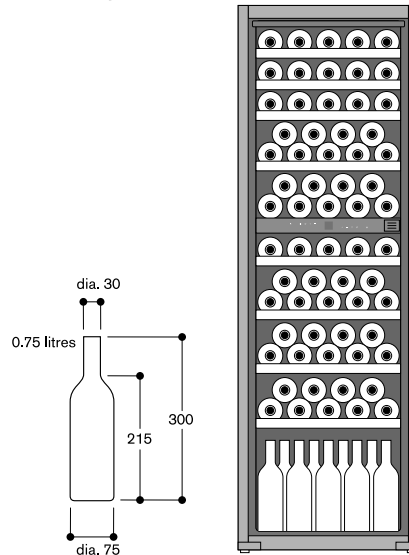
No transport/operation above 1.500 m sea level.

Connection

Total connected load 0.13 kW.
Connecting cable 2.8 m with plug.



Bottle storage



**RW 222 261**

Fully integrated, with glass door
Niche width 56 cm,
Niche height 122 cm

Special accessories**RA 050 220**

Replacement activated charcoal air filter.

Wine climate cabinet 200 series**RW 222**

- 2 independently controllable climate zones
- Consistent temperatures with exact control from +5 °C to +20 °C
- Humidity control
- Extendable bottle trays in beech and aluminium
- Presentation light option
- Low-vibration operation
- Capacity 48 bottles

Handling

Electronic temperature control with digital display.
Touch keys.
Presentation light option in each climate zone, dimmable.
Interior lighting with automatic dimming with opening and closing of door.

Technical Features

Dynamic cold air distribution.
Automatic defrosting with defrost water evaporation.
Cushioned door closing system integrated in door hinge.
1 activated charcoal air filter for both climate zones.
UV-protection.
Open-door and malfunction alarm.
Child lock.

Features

Capacity 48 bottles
(based on 0.75/l standard bottles).
6 bottle trays, 4 of which are extendable.
Storage of magnum bottles possible.
LED lighting.
Net volume 158 litres.

Consumption data

Energy efficiency class A at a range of energy efficiency classes from A+++ to G.
Energy consumption 151 kWh/year.
Noise level 35 dB (re 1 pW).

Planning notes

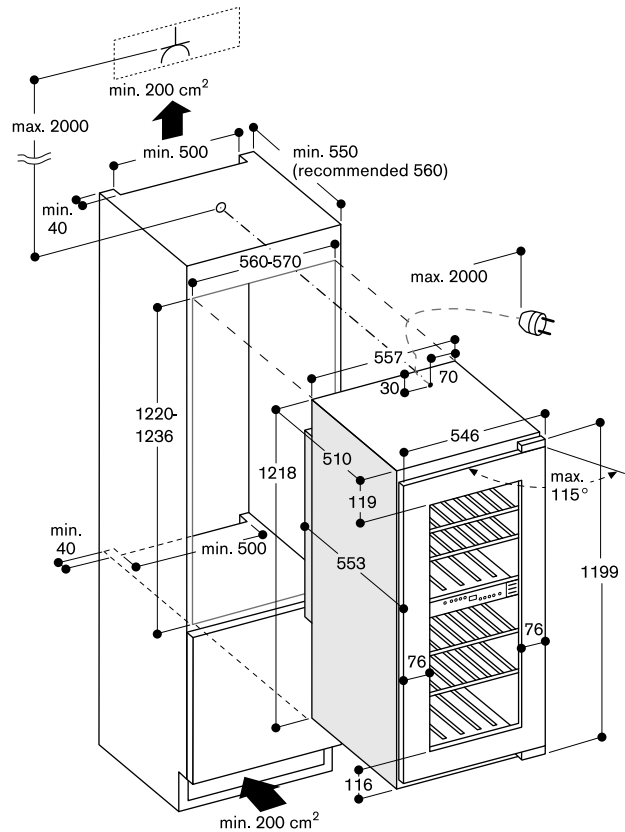
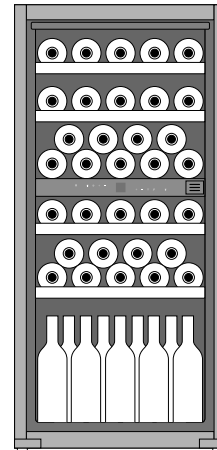
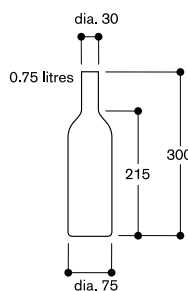
Flat hinge.
Door hinge right, reversible.
Height-adjustable feet.
Door opening angle of 115°, fixable at 90°.
Max. door panel weight 20 kg.
Door panel thickness min. 16 mm/max. 22 mm.
The mains socket needs to be planned outside the built-in niche.
For a side-by-side installation every appliance must be planned in its own niche.

When combining the wine climate cabinet with cooling appliances other than a second wine climate cabinet, a clearance of min. 150 mm is to be kept between the appliances to avoid condensation due to lack of side heating.

No transport/operation above 1.500 m sea level.

Connection

Total connected load 0.13 kW.
Connecting cable 2.0 m with plug.

**Bottle storage**

Accessories and special accessories for cooling appliances

RA 425 110

Handle bar, stainless steel, long
With 3 mounts, length 1.131 mm,
drilling distance between each
mount 554 mm.



RA 425 710

Handle bar, stainless steel, short.
For RB 472 with 2 mounts,
length 658 mm, drilling distance
between the mounts 637 mm.



RA 425 910

Handle bar, stainless steel, short
For RB/RY 492, with 2 mounts, length
810 mm, drilling distance between the
mounts 787 mm.



RA 450 000

Mechanical particle filter.



RA 450 010

Activated charcoal filter for water filter
system including saturation indicator.



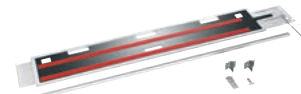
RA 460 000

Accessory for side-by-side installation.
Not required if appliances are installed
more than 160 mm apart from each other.
Included in delivery for RF and RW.



RA 460 013

Additional side heating element 230 V.
Required if appliances are installed
with a distance greater than 16 mm and
less than 160 mm next to each other
and for all built-in situations in a very
humid environment. Not required if
appliances are installed more than
160 mm apart from each other.



RA 460 020

Connecting element for vertically split
appliance fronts (for a flush front)



RA 460 030

Connecting element for vertically split
fronts (for fridge-freezer combination)



RA 464 111

Ventilation grille stainless steel
For 45.7 cm wide appliances.



RA 464 112

Ventilation grille stainless steel
For 45.7 cm wide appliances with filter.



RA 464 611

Ventilation grille stainless steel
For 61 cm wide appliances.



RA 464 612

Ventilation grille stainless steel
For 61 cm wide appliances, with
integrated water filter.



RA 464 613

Ventilation grille stainless steel
For RF 463, with filter, right-hinged.



RA 464 614

Ventilation grille stainless steel
For RF 463, with filter, left-hinged.



RA 464 711

Ventilation grille stainless steel
For 76.2 cm wide appliances.



RA 464 712

Ventilation grille stainless steel
For 76.2 cm wide appliances, with
integrated water filter.



RA 464 710

Ventilation grille stainless steel
For RB 472 with integrated water filter.



RA 464 910

Ventilation grille stainless steel
For RB/RY 492.



RA 464 911

Ventilation grille stainless steel
For 91.4 cm wide appliances.



RA 097 600

Accessory for side-by-side installation
of two under-counter wine climate
cabinets.



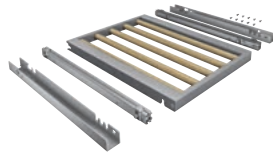
RA 420 010

Door lock for RW 414 and RW 466

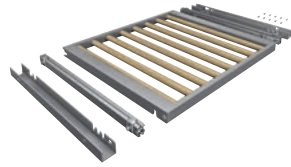


RA 491 161

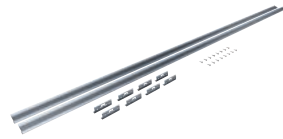
Fully extendable bottle trays with hidden telescopic rails in oak wood and solid aluminium in anthracite
For 45.7 cm wide appliances.

**RA 491 661**

Fully extendable bottle trays with hidden telescopic rails in oak wood and solid aluminium in anthracite
For 61 cm wide appliances.

**RA 423 140**

Side trims, long.

**RA 423 340**

Side trims, 2 pieces, for RY and RB.

